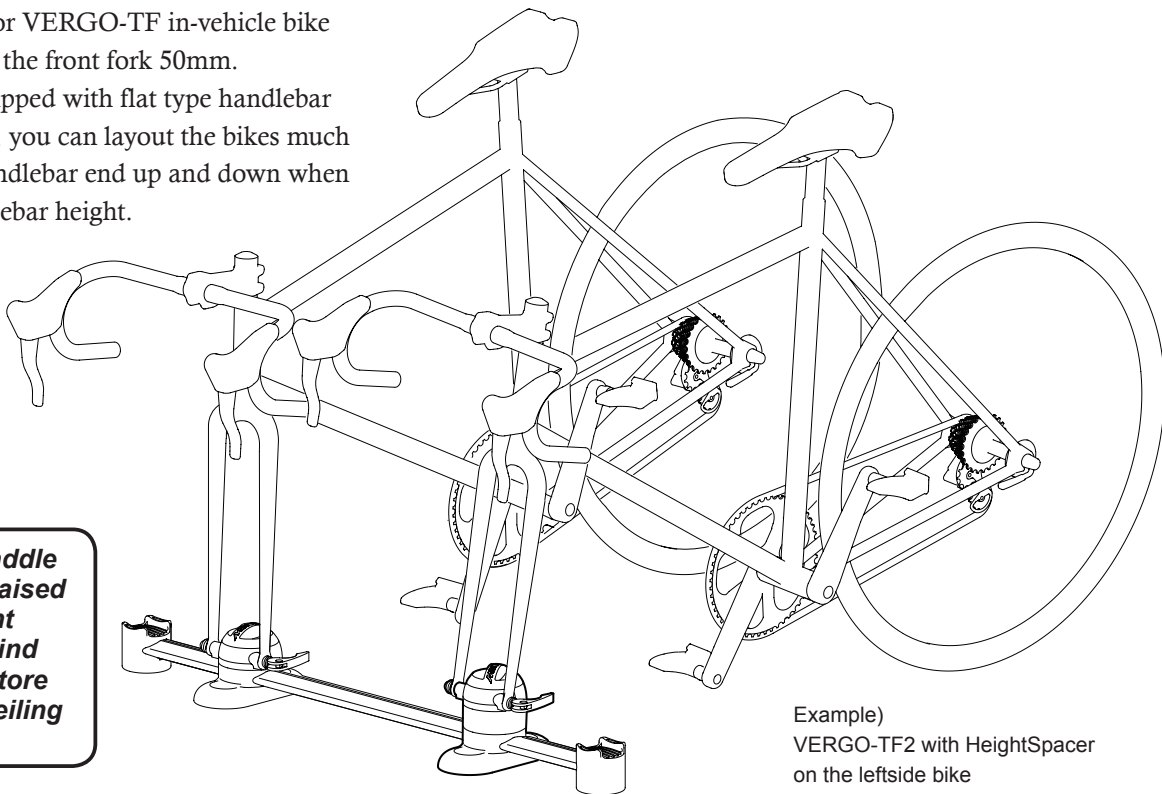


An additional adapter for VERGO-TF in-vehicle bike storage stand that raises the front fork 50mm. Especially for bikes equipped with flat type handlebar like MTB or cross-bikes, you can layout the bikes much closer by placing the handlebar end up and down when differentiating the handlebar height.



Example)
VERGO-TF2 with HeightSpacer
on the leftside bike



Please Note: The saddle height will also be raised when lifting the front fork. Keep this in mind when you need to store the bikes in a low ceiling height vehicle.

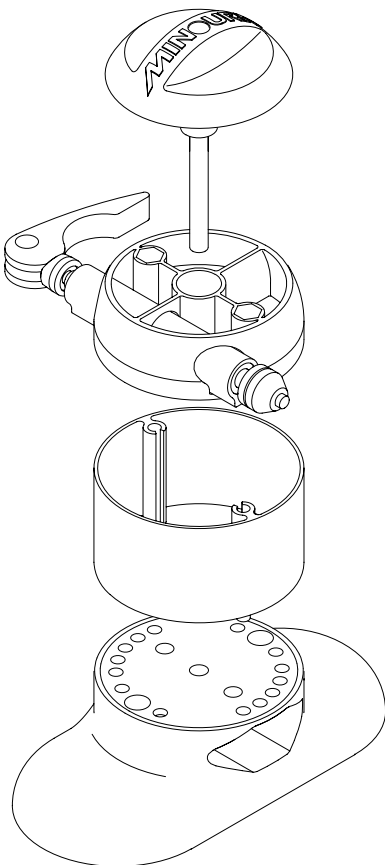
Instructions

Knob Dial
with extended bolt

Fork Mount
(existing part)

50mm Spacer

Fork Mount Base
(existing part)



Angle adjustment function is still possible.

For More Information

Made in Japan

MINOURA Japan Headquarters (for ALL customers)

134-1 Shimomiya, Godo, Anpachi, Gifu, Japan
 Fax: +81-584-27-7505
 Email: minoura@minoura.jp
 Web: www.minoura.jp

MINOURA North America (for U.S. residents only)

Hayward, California, U.S.A.
 Phone: 1-510-538-8599
 Fax: 1-510-538-5899
 Email: support@minourausa.com

Warranty Period

Minoura offers 1-year limited warranty to the original user from the date of your purchase. This program covers any defects caused by the manufacturer's mistakes during production. It will not cover any results caused by the user's misuse, natural wear or unauthorized modifications. For more information, visit www.minoura.jp.