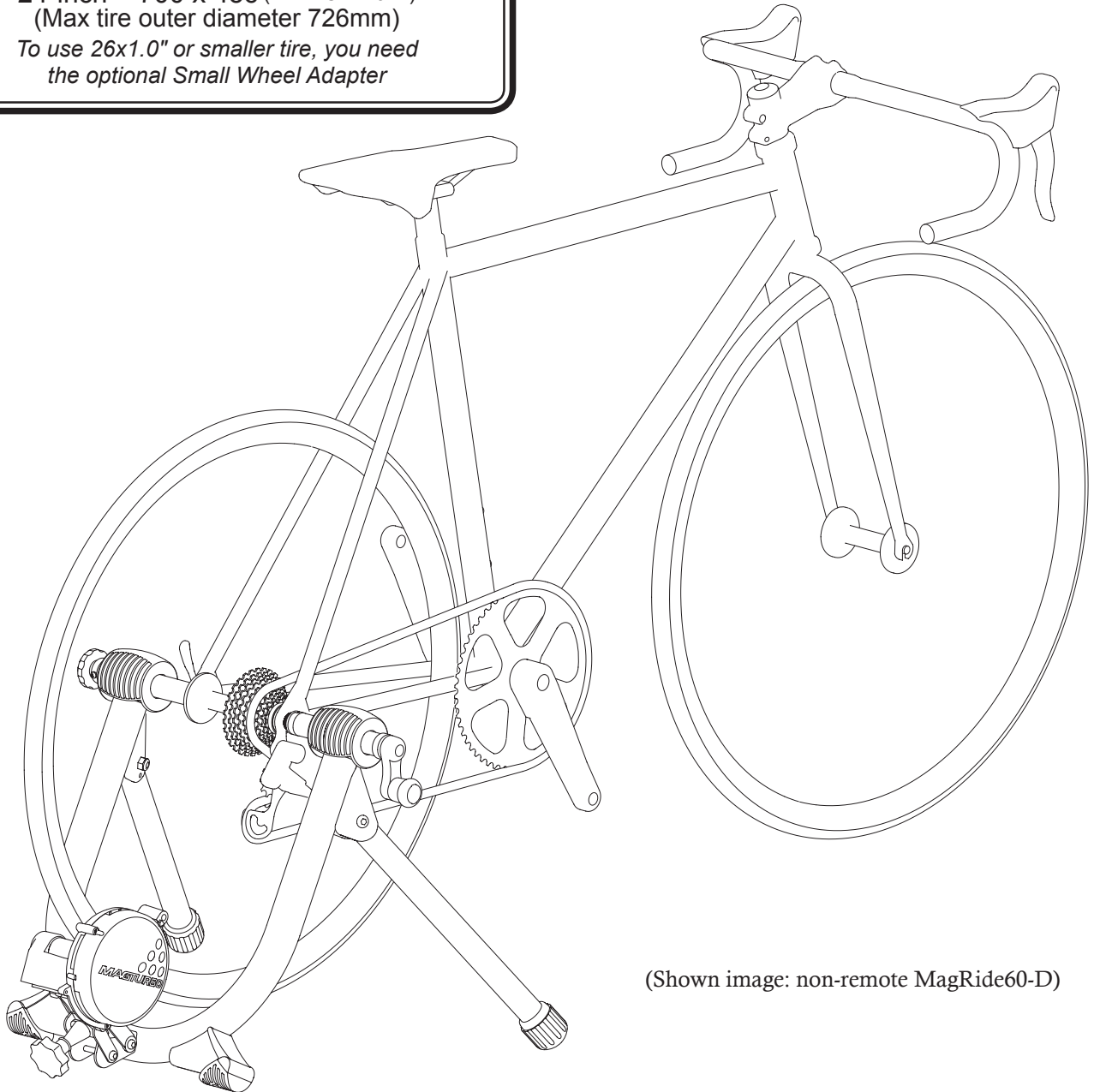


[Applicable Tire Size]

24-inch ~ 700 x 45c (ETRTO 47-622)
(Max tire outer diameter 726mm)

To use 26x1.0" or smaller tire, you need
the optional Small Wheel Adapter



(Shown image: non-remote MagRide60-D)

Read this instructions manual carefully before use

Minoura Japan Headquarters

(for all customers)

1197-1 Godo, Anpachi, Gifu 503-2305 Japan

Phone: +81-584-27-3131 / Fax: +81-584-27-7505

Email: minoura@minoura.jp / www.minoura.jp

Minoura North American Tech Center

(for U.S. residents only)

Hayward, California, U.S.A.

Phone: 1-510-538-8599 / Fax: 1-510-538-5899

Email: support@minourausa.com

Made in Japan

IMPORTANT NOTICE

- *For use with a normal 2-wheel bicycle only. Do not use a tandem, recumbent, fat-bike or any bike with internal transmission system.*
- *Compatible with the rear wheel hub width between 110mm and 165mm. It includes a standard road bike, cross bike, MTB, track bike and BMX.*
- *Fits tire size between 24-inch and 700x45c. 29-inch is not compatible on this model. To use 26x1.0" or smaller tire, install the optional Z-shaped Small Wheel Adaptor.*
- *The magnetic resistance unit is pre-installed, but you may need some micro adjustment. Use correct tools (10mm spanner & M4 hex wrench). Tools are not supplied in the kit.*
- *Use the supplied rear quick release skewer for maximum stability. Minoura is not responsible for any problem caused from using your own skewer. (* Quick release skewer = A wheel axle device which allows mounting/disengaging the wheel without any tool)*
- *If your bike wheel is not equipped with a quick release skewer but a standard hub nut type axle, remove the black plastic cap (Grommet) from the Right Side Coupling for better and safer fitting. Note that it is not possible to convert a hub nut type wheel to a quick release wheel unless you replace the hub itself.*
- *Use on flat and level floor or ground for your safety. The rubber foot may leave stain on the floor or carpet. To avoid, use a mat under the trainer.*
- *The left side knob is used to align the wheel offering side to side adjustment. It is not used for tightening the trainer to the wheel.*
- *Adjust the roller pressure to the rear tire properly in order to maximize your tire life. Tire-to-roller contact will eventually wear both your tire and the trainer roller. It's normal.*
- *On MagRide60-D (non-remote type), adjusting the resistance must be done when the bike stopped. Do not operate the Dial Lever for changing the resistance power while the rear wheel is spinning.*
- *Touching the spinning wheel and/or any other moving parts while training could cause serious injury. Keep children and pets away from the trainer when in use.*
- *If you hear any unusual noise or strange smell, stop using the trainer immediately and identify the issue. Contact your local shop for help.*
- *Any warranty will be void if you use MagRide60 for other purpose than instructed. Minoura offers a 1-year limited warranty on this product from the date of your purchase for any problem caused by manufacturer's defect. Any damage or problem caused by transporting process is not covered under warranty. You should ask to the shipping company for solutions. Read enclosed "Minoura Limited Warranty Policy" card and refer our web site (www.minoura.jp) for more detail.*

How To Setup Your MR60 Trainer

Required Tools: 1 x 10mm Spanner / 1 x M4 Hex Wrench
(Tools are not included. Please prepare separately)

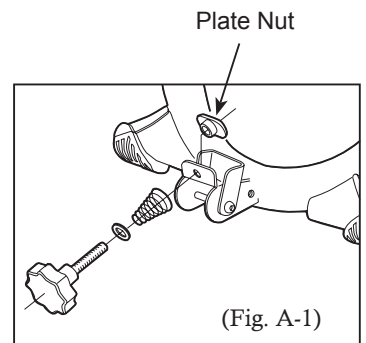
1. Replace your rear wheel quick release skewer with the supplied one. Minoura guarantees the stability only when using the supplied skewer due to the coupling inner shape.



If your bike is not equipped with quick release skewer and it's a hub nut type, you should remove the black plastic Grommet (skewer nut protector) from the right side coupling. Minoura doesn't guarantee the stability if you don't remove the Grommet.



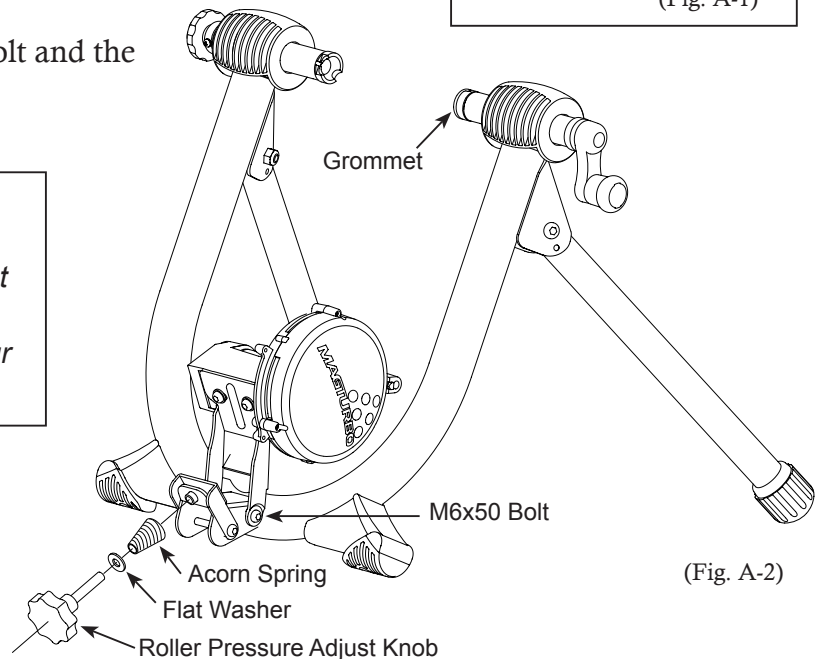
You don't need the supplied quick release skewer if your wheel is a hub nut type. It's not possible to convert your wheel from the hub nut type to the quick release skewer type unless you replace the hub.



2. The magnetic resistance unit is pre-installed on the main frame. To adjust the tightening of the M6x50 bolt and the M6 nut, use a hex wrench and spanner.



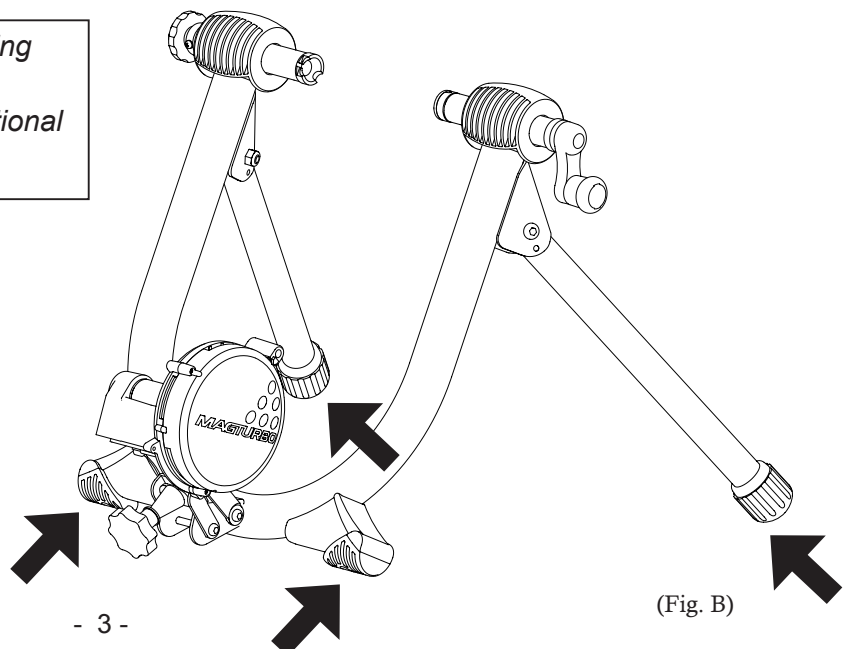
Use caution when tightening the M6x50 bolt. If it's too tight the mag unit will not move smoothly. If it's too loose you may pinch your finger.



3. Install the Roller Pressure Adjust Knob set to the Plate Nut coming from behind the bracket on the frame. (see Fig. A-1)



Make sure the acorn shaped spring direction is as shown in Fig. A-2. Failure to do so will cause operational issues.



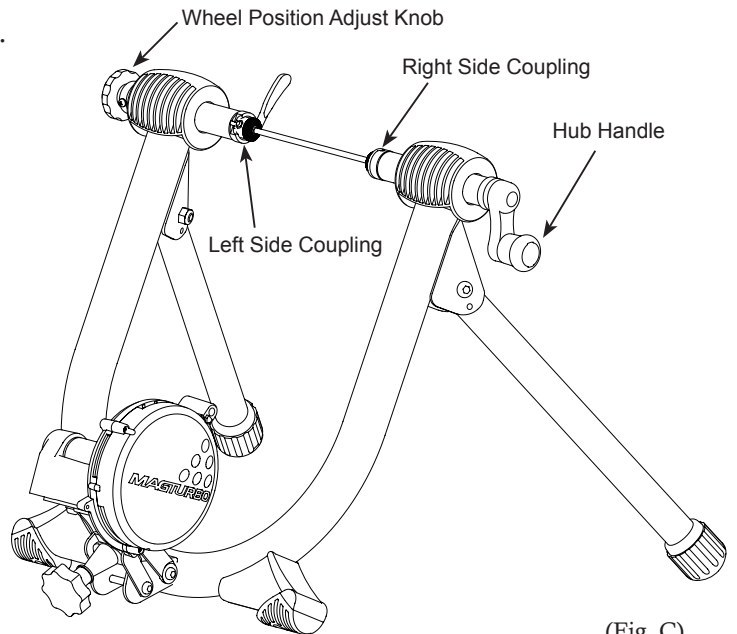
4. Fully open both legs and place MagRide60 on a flat and level floor. At this moment, make sure all 4 feet are contacting the floor at once to sit on the floor stable. (see Fig. B)

5. Place your rear wheel in between the couplings.

- 1) Turn the hub handle counter-clockwise to make the enough space between the couplings.
You should almost fully open the coupling for easier wheel installation. (see Fig. C)
Depends on the hub width, you may have to turn the left side Wheel Position Adjust Knob to widen the clearance.



Be careful not to loosen the Hub Handle too much. Doing so will cause the inside nit to come off and make tightening the handle impossible.



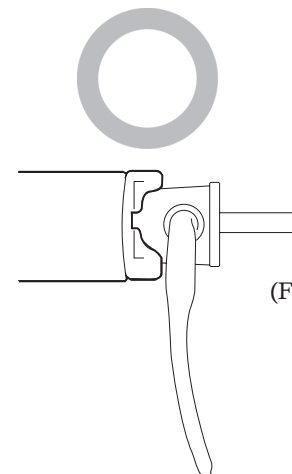
(Fig. C)

- 2) Insert the left side (quick lever side) skewer into the Left Side Coupling first.
The quick lever shaft must be inserted into the cut-out on the coupling to hold the bike stable.
Turn the coupling to adjust the cut-out position prior to tightening the Hub Handle.
- 3) While keeping this position, slowly bring the bike down to align the right side acorn nut to the Right Side Coupling.
- 4) Turn the Hub Handle clockwise to hold the rear wheel.
Once the rear wheel is securely caught between the couplings and you see your frame compressing from the tightening, stop.
If you fully tighten the Hub Handle but the Right Side Coupling doesn't reach the skewer yet, it means the Left Side Coupling is too far. Turn the left side knob to move the Left Side Coupling toward the center.
- 5) Turn the Hub Handle two more rotations. Do not try to over-tighten the Hub Handle.



Both right and left side couplings are designed to suit the supplied quick release skewer. The left side coupling must fit perfectly in the skewer head to get correct stability. (see Fig. D)

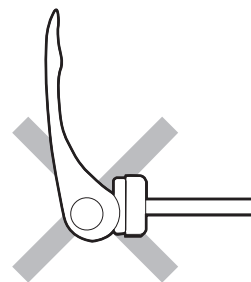
Any skewer type which lever is located on the end of the axle (see Fig. E) or the lever will not be bent over right angle (see Fig. F) cannot be used on MagRide60.



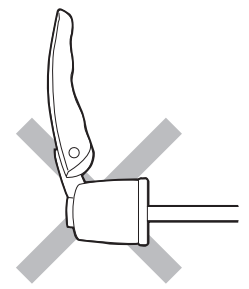
(Fig. D)



*Do not try to over-tighten the Hub Handle to keep the correct tightness of rear hub clamping.
Too tight setting will cause damage to both MagRide60 and your bike frame.
Too loose setting may cause the bike to come out of the trainer during use.*



(Fig. E)



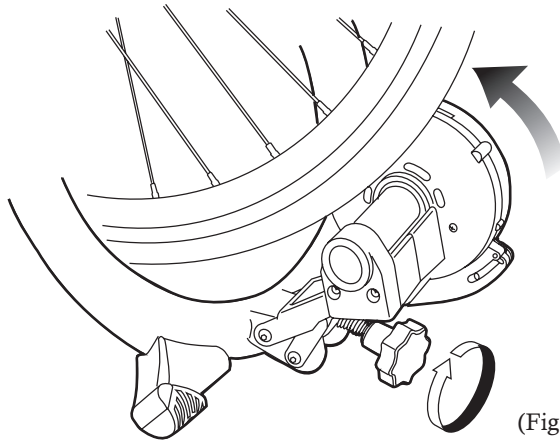
(Fig. F)

- 6.** Contact the Drive Roller to the rear tire by turning the Roller Pressure Adjust Knob clockwise. (see Fig. G) The best position is that the roller compresses the tire in the depth of 3 – 4 mm. (see Fig. H)

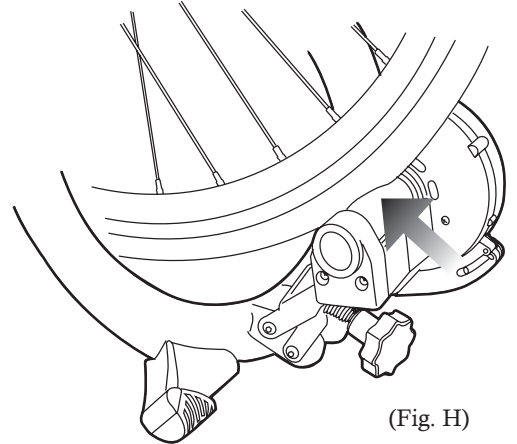


Please note: Too much or too little pressure will result in premature tire wear. Find the correct pressure between the tire and roller and maintain correct tire inflation before using this trainer.

TIPS If it's hard to tighten the knob bolt, lift up the Mag unit by hand then tighten the knob.



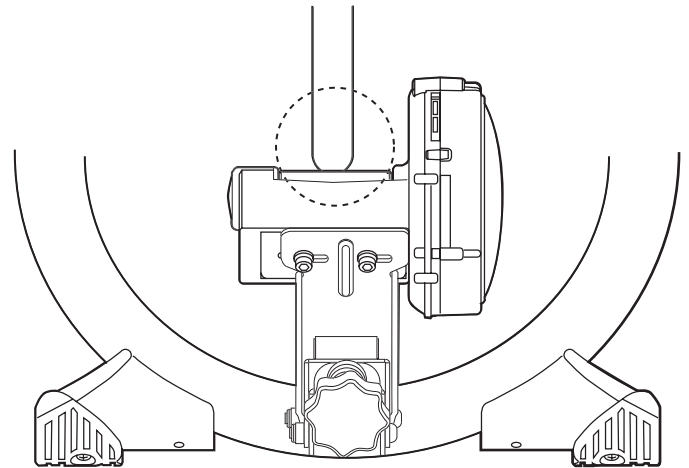
(Fig. G)



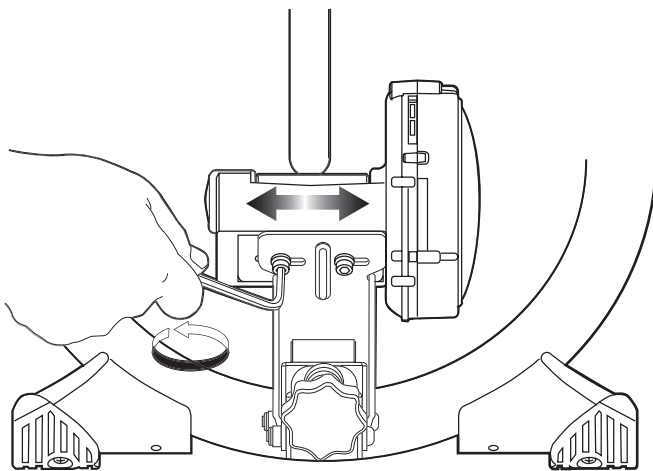
(Fig. H)

- 7.** The rear tire should sit in the almost center part of the Drive Roller without touching any other parts (see Fig. I). If the tires touches the plastic parts (see Fig. K) due to an incorrectly trued wheel or other reason, you must adjust the Mag unit's position.

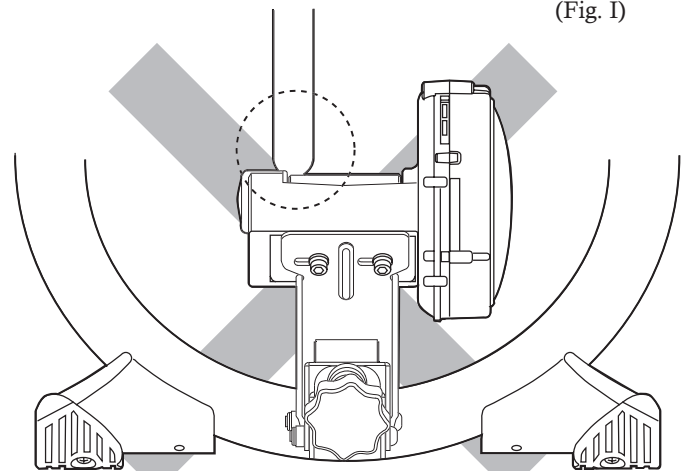
To do so, loosen the backside screws with M5 hex wrench, adjust the roller position, then tighten the screws again firmly. (see Fig. J)



(Fig. I)



(Fig. J)



(Fig. K)



If the rear tires comes in contact with parts other than the drive roller, those parts could be damaged and premature tire wear may occur.

- 8.** To change the wheel position, remove the wheel first. Turn the left side knob to move the Left Side Coupling. Confirm if the wheel is sitting in the center of the drive roller. If not, adjust the Left Side Coupling position again, or rotate both the Hub Handle and the Wheel Position Adjust Knob at once.

How To Adjust Resistance Level (MagRide60-D)

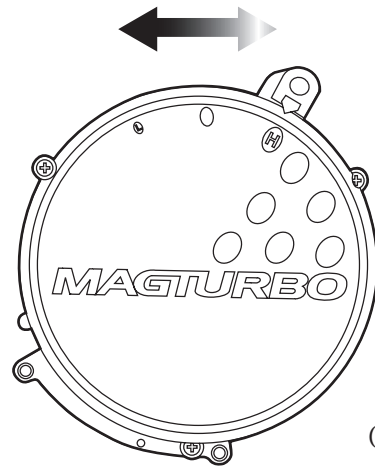
MagRide60-D provides 3 different resistance levels to suit your training level.

To Increase Resistance Level:

Slide the Dial Lever toward "H" position.

To Decrease Resistance Level:

Slide the Dial Lever toward "L" position.



(Fig. L)

How To Adjust Resistance Level (MagRide60-R)

Required Tool: 1 x M4 Hex Wrench

MagRide60-R comes with a convenient remote shifter device. By installing it on your handlebar or stem, you can adjust the resistance in 7 different levels without getting off the bike. The remote shifter should be used in conjunction with the gears on your bike to achieve maximum efficiency in your workout.

How to install the remote shifter

- 1) Wrap the flexible plastic band around the handlebar,
- 2) Put the hook to the gutter on the plastic shifter base,
- 3) Flip up the lever to lock.

The remote shifter is pre-adjusted to fit the standard handlebar size; 22mm (7/8") diameter.

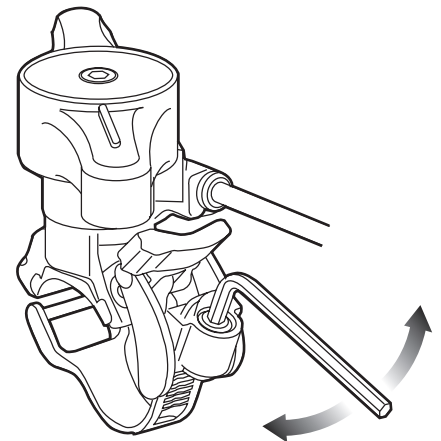
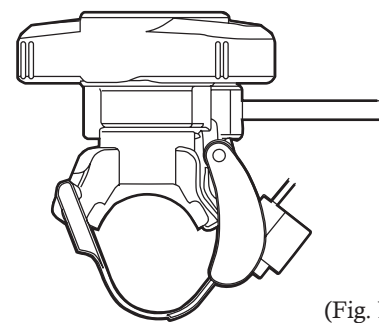
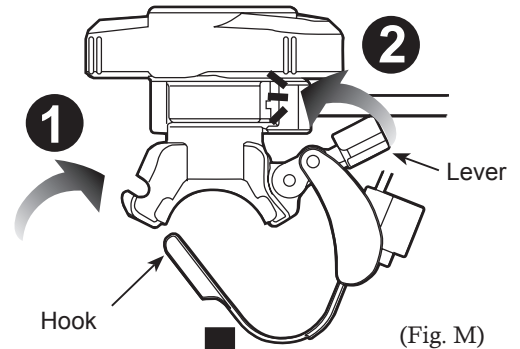
If it becomes loose or too tight, or you need to install the shifter onto an oversized handlebar or stem, adjust the band length by turning the plastic screw on the band with an M4 hex wrench. (see Fig. O)

(Please be advised that the hex wrench doesn't come in the package)



The plastic band and screw are not made to be abused. Do not over-tighten.

Unclip the remote before making adjustments.



How To Adjust Resistance Level

How to increase the resistance level

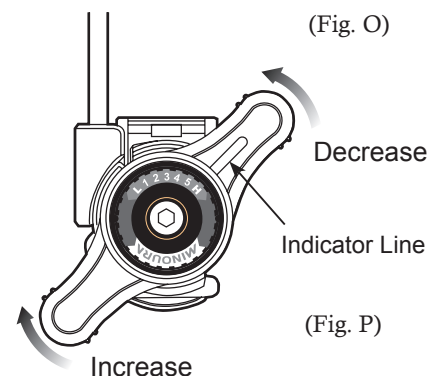
Twist the shifter lever toward "H" symbol.

How to reduce the resistance level

Twist the shifter lever toward "L" symbol.



"L" is not zero resistance. There is still some resistance even at "L" level due to the roller compression to the tire.

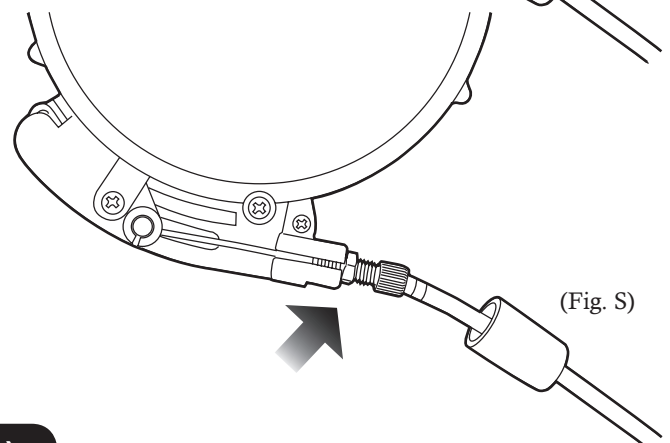
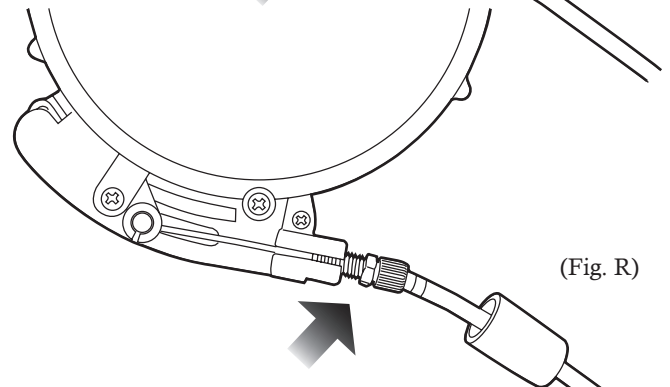
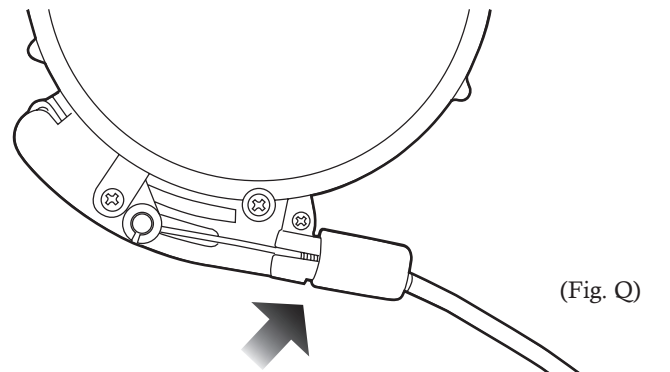


Why Doesn't My Remote Shifter Work Correctly?

If setting the remote in the L or H position becomes difficult, it may be due to the inner cable having too much slack.

To fix this problem, follow the steps to adjust the initial cable tension.

- 1.** Set your remote shifter at "H" position and remove the shifter from your handlebar, then straighten the cable as much as possible.
- 2.** Pull out the plastic cover cap on foot of the remote cable. (see Fig. P and R)
- 3.** Hold the inside adjusting screw and push it toward the shifter, then adjust the locking nut to set the cable tension properly. (see Fig. S)
- 4.** Check if the shifter lever can travel between L and H correctly, especially when shifting to L. Install the cover cap again.

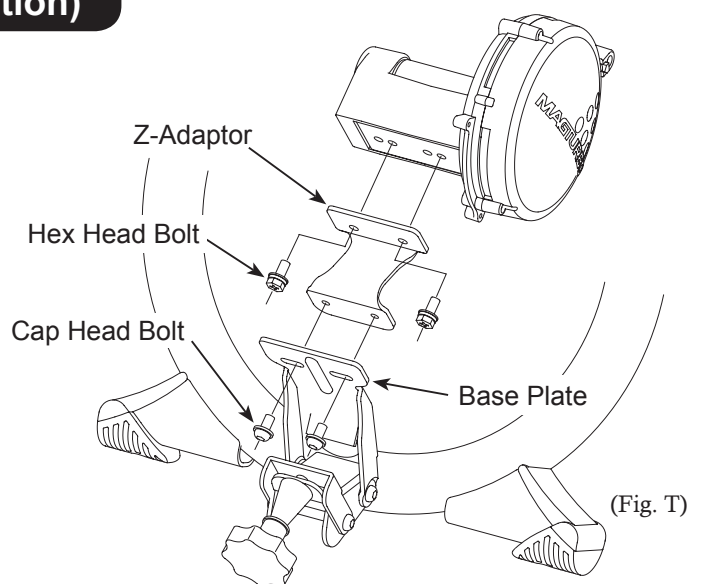


How To Use Small Wheel Adaptor (Option)

If you wish to use a tire 26x1.0 or smaller, you'll need to purchase and install the optional Z-shaped "Small Wheel Adaptor" between the Base Plate and Mag unit to raise the height of the roller.

The direction of Z-adapter is fixed so follow the arrow printed on the top and make sure it's pointing toward the front (toward your bike). If the drive roller cannot reach the tire even if you install the adaptor, make sure you have installed the adapter in the correct direction.

Use the original cap head bolts for the Base Plate, and use the supplied hex head bolts for the Mag unit.



Required Tools:	1 x 10mm Spanner 1 x M5 Hex Wrench
------------------------	---------------------------------------