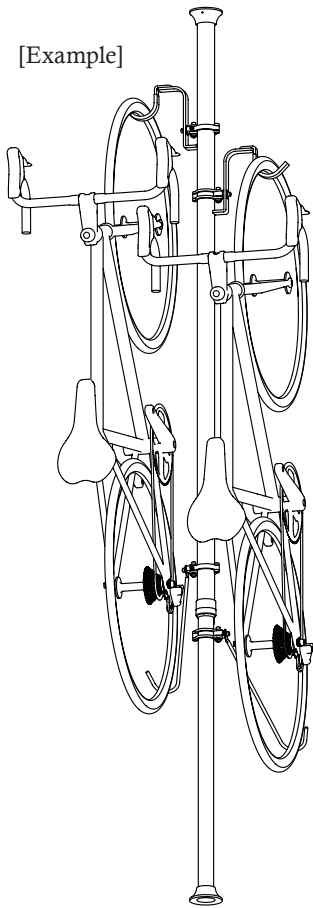


[Example]



A pair of hooks for hanging bike. One bike requires one pair of the hooks.

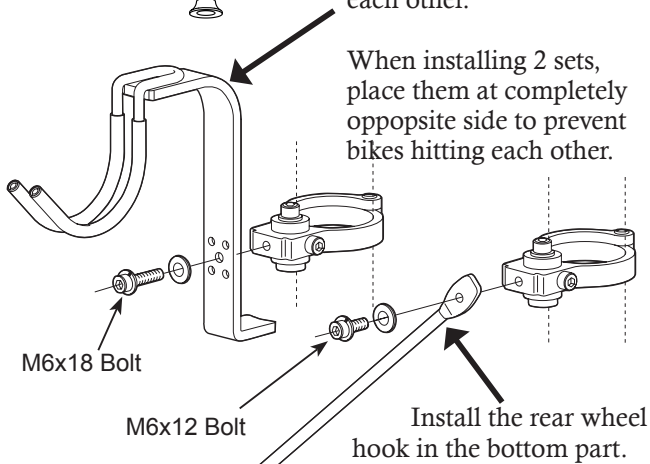
Use the attachment set when you will change P-500 or BikeTower to P-600 or BikePit.



You should hang the bike from the front wheel. Upside-down style would not be good because the handlebar will conflict you when passing by, so we don't recommend it.

You need to set the top hooks alternately when installing 2 sets on the same pillar. One side must be lower than another side to avoid conflicting the handlebar each other.

When installing 2 sets, place them at completely opposite side to prevent bikes hitting each other.



M6x18 Bolt

M6x12 Bolt

Install the rear wheel hook in the bottom part.

Due to the unsymmetric weight balance, the bike will not become vertical if you just hang from the hook.

To minimize the storage space, you need to pull the rear wheel toward the pillar. You should decide the clamp position that the hook reaches the tire and won't come off even the bike becomes vertical.

Hook the tire only, do not hook rim nor spokes.

The hook should swing, not be fixed stiffly.

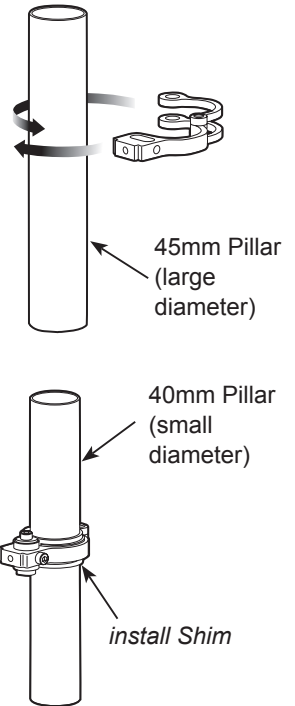
How To Install Clamp

1

At first, disassemble the clamp and wind around the pillar. Make sure the single arm is located on the right side, and the dual arm is located on the left side.



When installing on the smaller (40mm) diameter pillar, you need to put the supplied plastic Shim in the clamp. It's not necessary for the larger (45mm) diameter pillar. Make sure the single arm sits between the dual ribs on the Shim.



45mm Pillar (large diameter)

40mm Pillar (small diameter)

install Shim

2

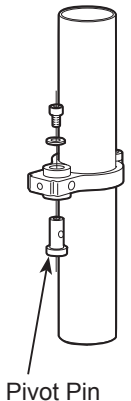
Put the Pivot Pin through all 3 holes on the clamp body and arms from the bottom side. Screw the shorter bolt with a flat washer temporarily.



You won't be able to turn the bolt with hex wrench if you have screwed it from top side.



You don't need to tighten the bolt firmly yet. It will be done in the next step.

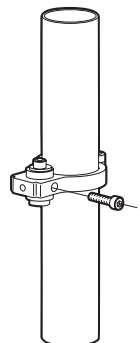


Pivot Pin

3

Turn the Pivot Pin to align the threaded hole and the clamp body hole. Put the longer bolt into the hole and tighten.

To fix the clamp, tighten the longer bolt first, then tighten the shorter bolt later.



Contact

MINOURA North America (for U.S. residents only)

Hayward, California, U.S.A.

Phone: 1-510-538-8599 / Fax: 1-510-538-5899

Email: support@minourausa.com

MINOURA Japan Headquarters (for ALL customers)

1197-1 Godo, Anpachi, Gifu 503-2305 Japan

Email: minoura@minoura.jp / Web: www.minoura.jp