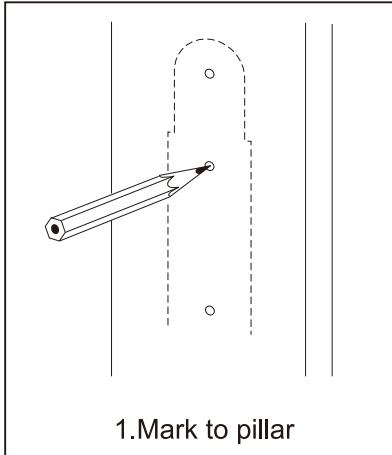
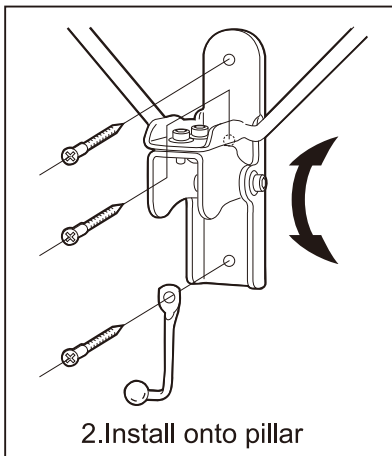


MINOURA

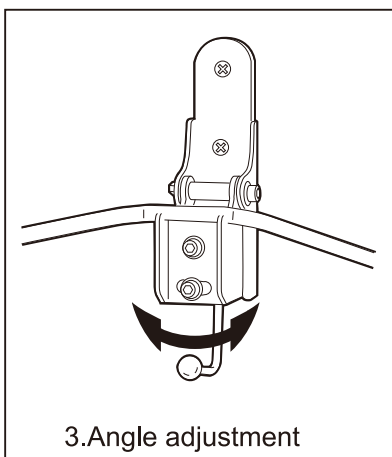
Bike Hanger 4



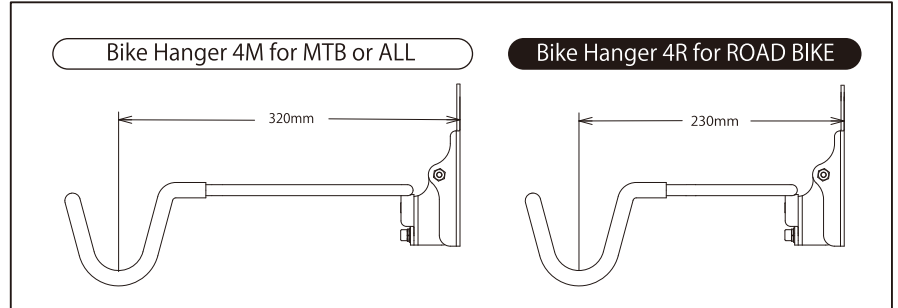
1. Mark to pillar



2. Install onto pillar



3. Angle adjustment



Bike Hanger comes in two sizes. The 4R is for ROAD BIKES and the 4M is for MTB's. The 4R has a 230mm distance from the wall while the 4M has a 320mm distance for longer bars.

1. The Bike Hanger must be installed into a solid material such as wood or other anchoring material. Installing Bike Hanger into a material like Dry Wall will cause the Bike Hanger to pull out of the wall, damaging your wall and possibly your bike. Minoura is not responsible for any damage incurred from improper installation.
2. 25mm and 50mm mounting screws are included in the package. Use the appropriate size for your needs. Consider using a drill guide to accurately mark the place to mount the hanger and make sure the screws take hold.
3. To adjust the cradle hanger, loosen the lower bolt, adjust, and tighten the screw down again.
4. Fold the cradle up out of the way when not in use to avoid snagging.
5. Periodically check that the bolts on Bike Hanger are tight and if loose, tighten down again to avoid any mishap.

MAX LOAD:20kg/44lbs

株式会社 箕浦

〒503-2305 岐阜県安八郡神戸町神戸1197-1

Phone : 0584-27-3131

Fax : 0584-27-7505

E-mail : minoura@minoura.jp

MINOURA JAPAN

1197-1 Godo, Anpachi, Gifu 503-2305 Japan

Phone : (+81)584-27-3131

Fax : (+81)584-27-7505

E-mail : minoura@minoura.jp

Made in Japan