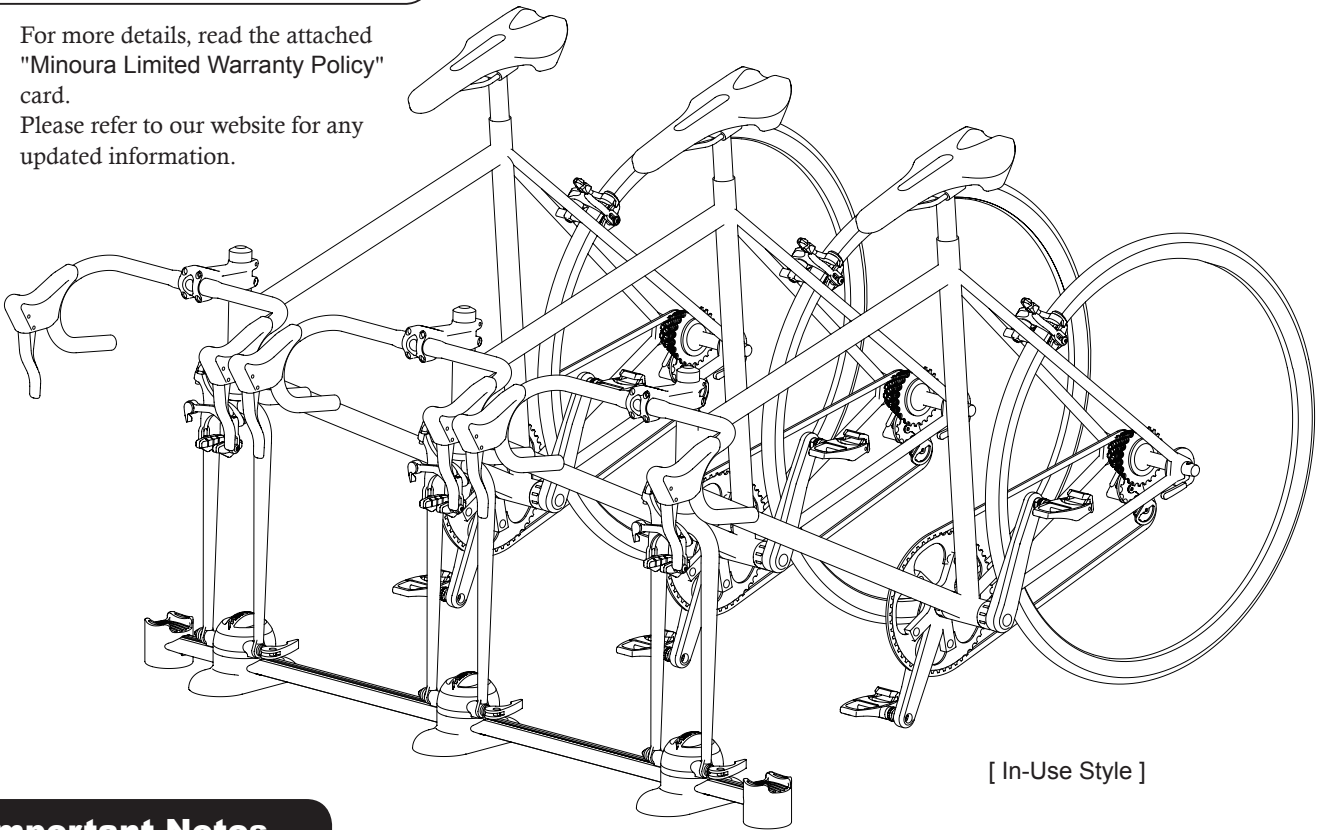


## Warranty Period : 1 year

For more details, read the attached "Minoura Limited Warranty Policy" card.

Please refer to our website for any updated information.



[ In-Use Style ]

## Important Notes

- VERGO-TF is a an in-vehicle bike mounting base and should not be used for any other purpose.
- For normal 2-wheel bike only. Not suitable for heavy electric, downhill or tandem bikes.
- Standard 9mm quick release skewer and 15mm thru type axle can be used on VERGO-TF. 20mm thru axle for downhill bike cannot be mounted. A plain front fork for standard nut type axle is compatible.
- When using 9mm quick release skewer, use the supplied skewer. When using 15mm thru type axle, remove the sleeves from the Fork Mount and use your own axle.
- The Fork Mount in the kit is for the standard 100mm width hub only. Any other sizes cannot be mounted. Boost Hub and 12mm Thru Axle can be used by using the optional adapter (sold separately).
- Do not grasp the brake lever after removing the wheel if your bike is equipped with hydraulic disc brake.
- Drive carefully when transporting bikes with the VERGO-TF. Do not fix bikes to the floor and be careful when accelerating, braking or driving recklessly. Your bikes and vehicle may sustain damage so we recommend you tie the bikes down with a strap.
- When closing the back gate door, make sure the bike will not hit the rear window.
- VERGO-TF3 is the kit for the vehicle with enough wide interior width. If the bar length is too long to your vehicle, you can cut it by a metal saw.

## Contact

*If you have any questions or need help, you should contact the **dealer** where you purchased or the Minoura **distributor** in your country first. Only when you cannot get enough service, you can contact us.*

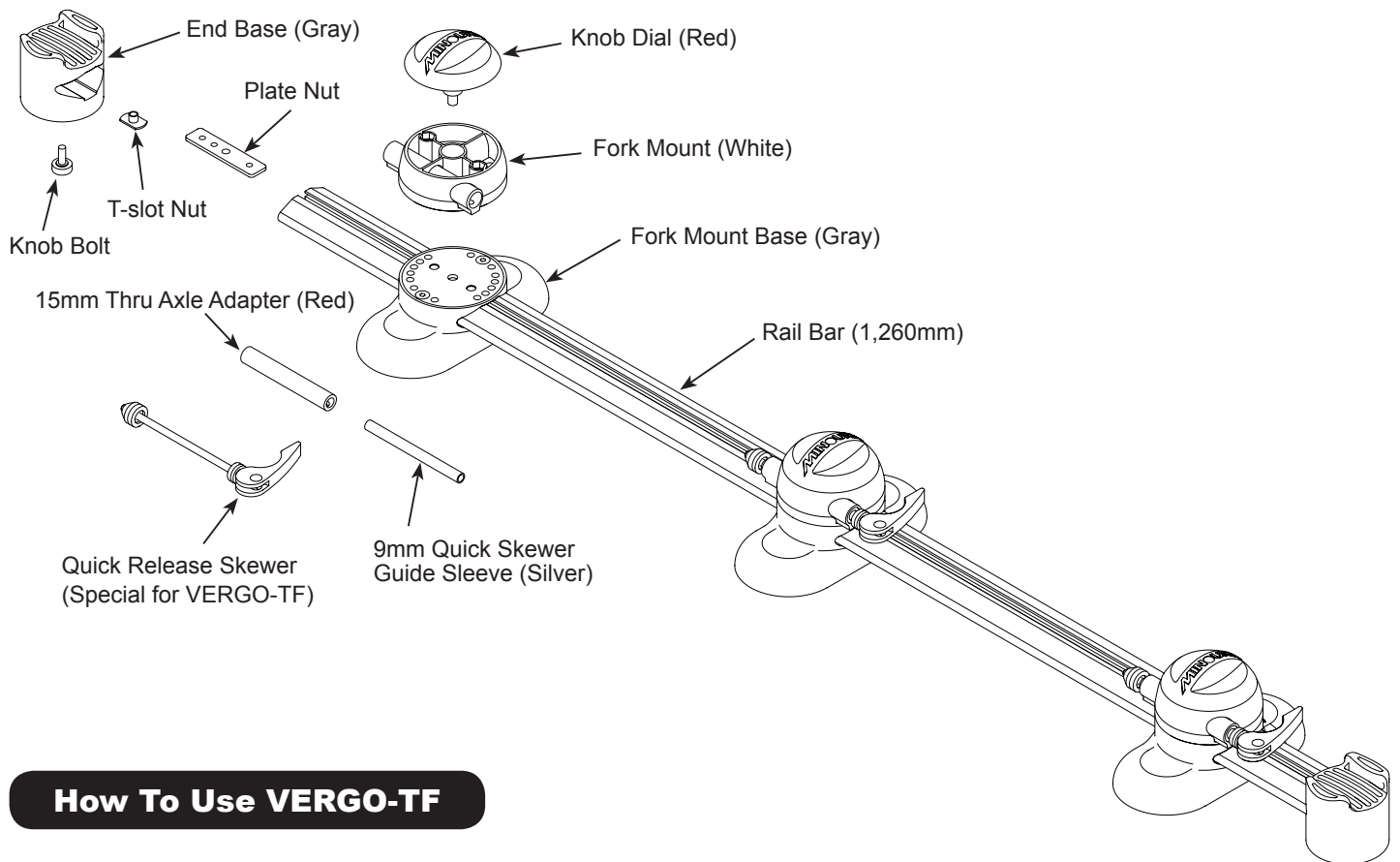
### MINOURA JAPAN (for ALL customers)

1197-1 Godo, Anpachi, Gifu 503-2305 Japan  
 Phone: +81-584-27-3131 / Fax: +81-584-27-7505  
 Email: minoura@minoura.jp / Web: www.minoura.jp

### MINOURA North America (for U.S. residents ONLY)

California, U.S.A.  
 Phone: 1-510-538-8599 / Fax: 1-510-538-5899  
 Email: support@minourausa.com

## Schematics



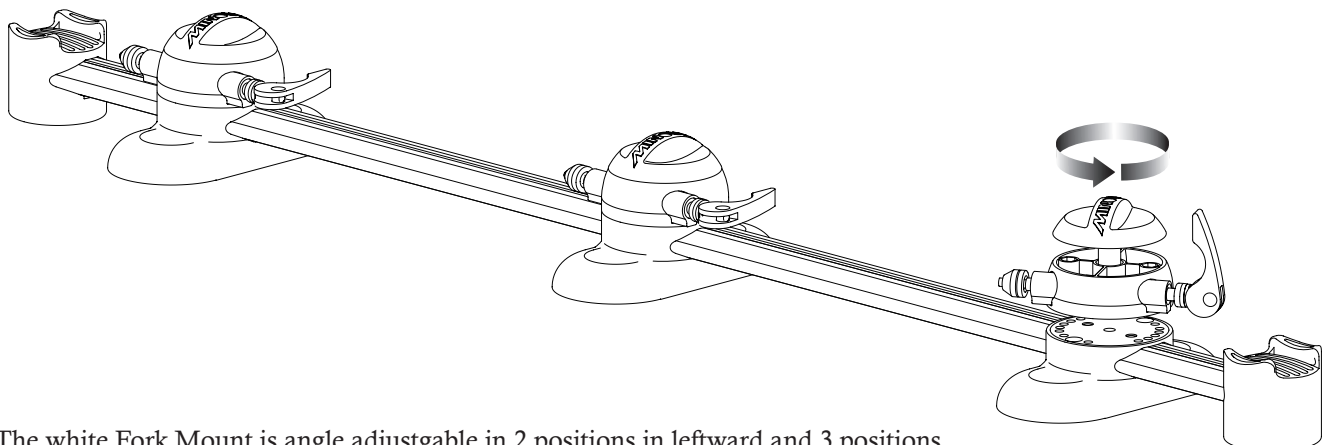
## How To Use VERGO-TF

1

VERGO-TF is pre-assembled.

The front fork mount is constructed with 3 parts, and the center white Fork Mount has been twisted to minimize the space in the box. Your first step is setting it at the right position.

Loosen the big red Knob Dial then the white Fork Mount becomes movable. In addition, it will allow to slide the fork mount on the Rail Bar to change its position. Tighten the knob to securely lock both.



The white Fork Mount is angle adjustable in 2 positions in leftward and 3 positions in rightward in every 15 degrees.

The function of angle adjustment helps maximizing the cargo space in the car by twisting the handlebar.

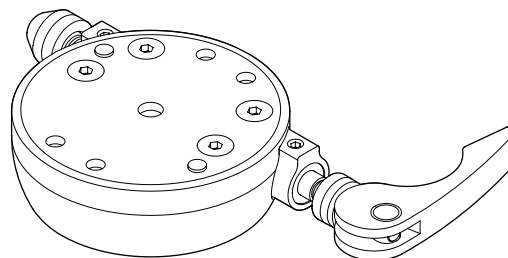
Loosen the red Knob Dial, slightly lift up the white Fork Mount then it can rotate. Lock in the position where the projections come into the holes, then tighten the Knob Dial to lock.



*Please note the bike will lean or tilt when the handlebar is turned. Stability can become an issue.*

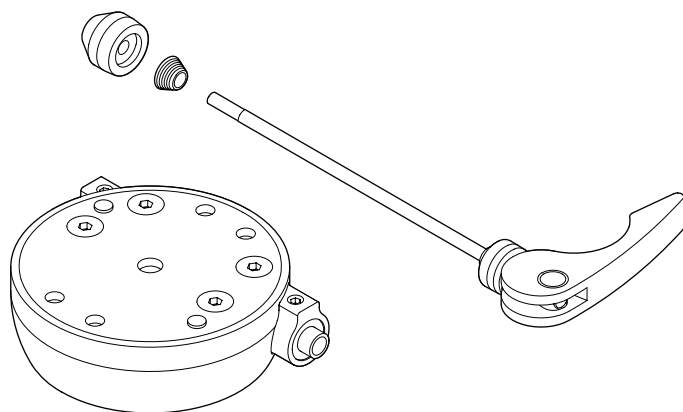
## 2

The front fork mount fits both the standard 9mm quick release skewer and the 15mm thru type axle by changing the parts construction.



[ Front Fork Mount in standard condition ]

### Use For 9mm Quick Release Type Skewer

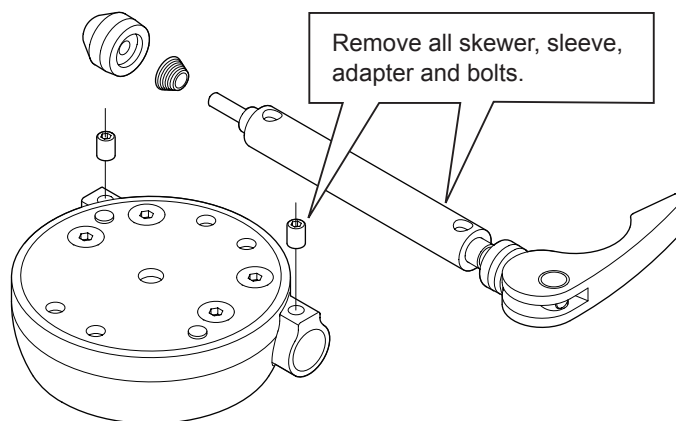


You will use the supplied quick release skewer.

This skewer is specially designed for VERGO-TF to enable much wider cam action.

This will allow you to engage/release the front fork very quickly without loosening the nut every time. This is especially handy with wider dropouts and safety tabs.

### Use For 15mm Thru Type Axle



You will NOT use the supplied quick release skewer. Use your own one for 15mm thru type axle.

Remove the supplied skewer, headless bolts with a 3mm hex wrench, then pull out the red adapter and the silver sleeve.



*When you need to re-install the removed adapter and sleeve for use with the 9mm quick release skewer again, note the following points before tightening the headless bolts;*

- 1. Insert the red 15mm Thru Axle Adapter as the hole aligns to the headless bolt.*
- 2. The silver Quick Skewer Guide Sleeve is set symmetrically in the adapter (same length are visible on both sides).*

*Failure to do may result in the front fork not holding properly.*



*Keep all the removed parts together with the quick release skewer.*

*You are not allowed to stay the bolts in the holes. It will disturb inserting the 15mm axle, and they may come off while riding due to the vibration.*



*If the gray Fork Mount Base has been set in a different position on the Rail Bar when you re-install the white Fork Mount, make sure the position of the Plate Nut is in the rail groove.*

*The bolt of the red Knob Dial must be tightened into the larger center thread hole on the Plate Nut.*



*The End Base can be removed from the Rail Bar easily by just loosening the Knob Bolt on the bottom. To install the End Base, you need to push up the Knob Bolt to life up the T-slot Nut for making enough clearance between the Rail Bar.*

### 3

Set the white Fork Mount parallel to the Rail Bar in order to achieve the maximum stability of the bike during installation. Changing the fork angle should be done later.

Remove the front wheel from the bike.

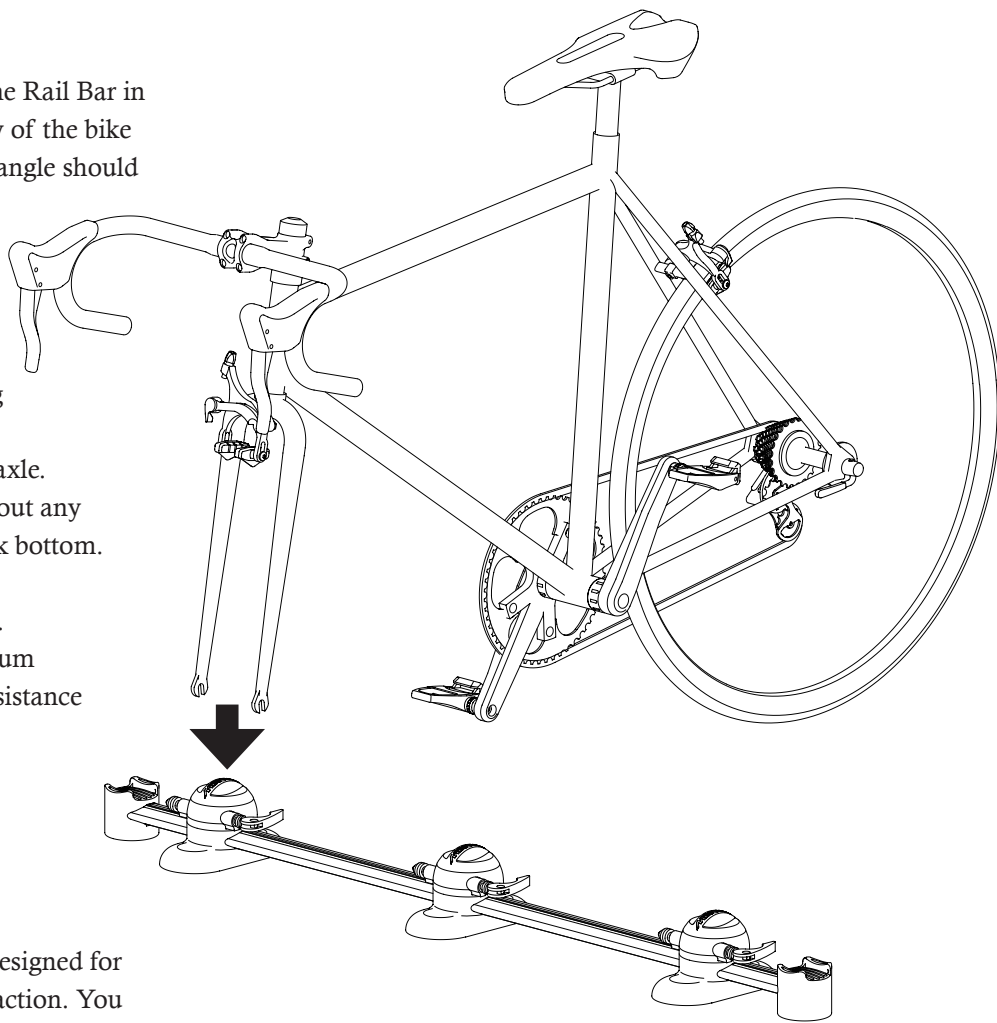
Open the quick release skewer lever to have enough clearance for mounting the front fork.

Put the front fork gently on the skewer axle. Make sure the fork is set properly without any conflict with the projections on the fork bottom.

Tighten the skewer by closing the lever. It's the correct setting to expect maximum tightening power that you feel some resistance on you hand when the lever comes at 45 degrees after passing the parallel position.

If the skewer is still loose or too tight, adjust the nut before closing the lever.

This quick release skewer is specially designed for VERGO-TF to have much wider cam action. You basically don't need to adjust the nut for the bike installation and removal.



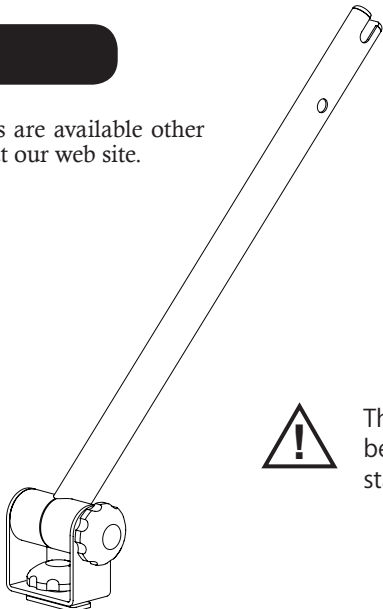
*Please be advised that too much bending of Q/R lever may loose the tightening actually. Adjust the lever angle to be the tightest position.*



*Do not grasp the brake lever after removing the wheel if your bike is equipped with a hydraulic disc brake. It must become difficult to open the stuck brake pads.*

## Options

There are various options are available other than this. Please check out our web site.



## Wheel Holder

An arm for holding the removed wheel. Just one arm can mount a pair of wheels with 9mm quick release skewer.



The optional "VERGO-TF-Stand" cannot be used with TF-3 because the Rail Bar length of TF-3 is too long that the stand will loose balance.