

(Image: P-500AL-6S in K-style leg)

FEATURES

- Save vast amounts of space by storing two bicycles in a single space.
- Alloy pillar is lightweight, rust proof and durable. Max load is 100 kgs (in X-style leg mode).
- Legs are switchable between K-style and X-style depending on the number of bikes or setup location.
- Alloy clamp securely holds the bike cradle and allows for easy position changes.
- The bike hook is designed to be low profile to get the bike on and off easily. Soft plastic pads prevent frame from being scratched. It fits up to 70mm diameter frame.
- Bike Cradle is same design as Bike-Tower20. Cradle angle and hook span are fully adjustable.

⚠ CAUTIONS

- *For normal 2-wheel bicycle only. Tandem, recumbent and long tail bikes may not be used on this stand. Place heaviest bike in the lower cradle to maintain stands balance.*
- *Set stand on an even, horizontal floor. Adjust each foot precisely to insure each of the foot's four points touch the floor evenly.*
- *Leaving a bike in the top cradle only may cause an imbalance and the stand could fall down. Be careful to keep weights balanced at all times.*

- *Do NOT hook the bike with the down-tube and seat-tube. Hook the top-tube.*
- *Set up close to a wall to prevent the stand from falling down when setting the stand up in the K-leg configuration.*
- *Do NOT try to remove the clamp from the bike cradle when installing on the pillar.*
- *The clamp is made of light alloy material. Do NOT over-tighten or the bolt may come out of the housing, ruining the clamping mechanism.*
- *Tighten the bolts equally. Do NOT tighten just one bolt firmly. Failure to do so may lead to improperly tightened screws.*

Contact

If you have question or problem on this product, please contact the shop where you originally purchase this product or the distributor in your country first. The distributor information can be found on our web site. Only when you cannot obtain enough service from them, you can contact Minoura directly.

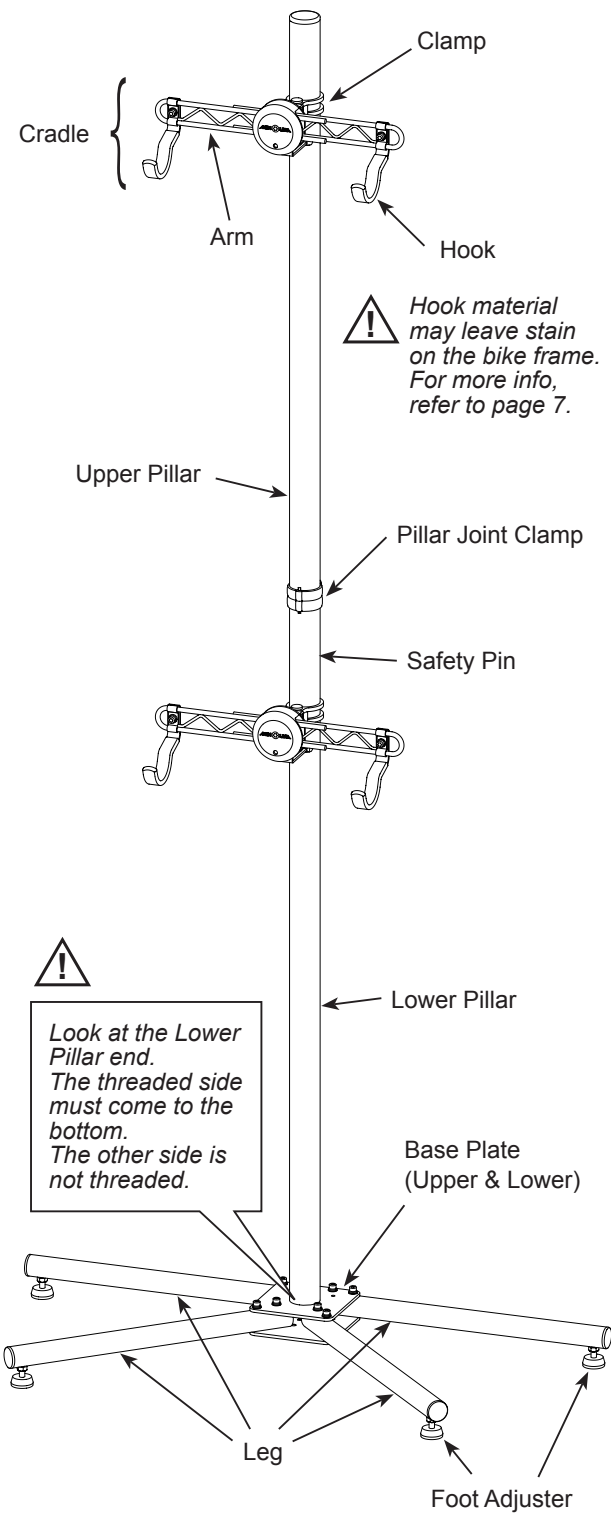
MINOURA JAPAN (for ALL customers, including Canada)

1197-1 Godo, Anpachi, Gifu 503-2305 Japan
Fax +81-584-27-7505
minoura@minoura.jp / www.minoura.jp

MINOURA NORTH AMERICAN TECH CENTER (for U.S. residents ONLY)

Mon - Fri, 9 am - 5 pm (PCT)
Phone 1-510-538-8599 / Fax 1-510-538-5899
support@minourausa.com

Part Name

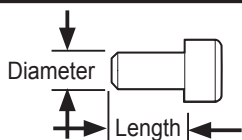


Required Tools

- 1 x M5 Hex Wrench (included)
- 1 x 13mm Spanner (not included)

How To Read Bolt Size

(Unit: mm)



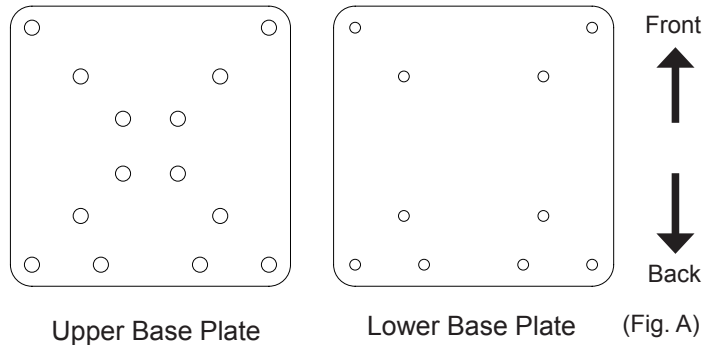
Ex) 6 x 30
Diameter Length

Assemble P-500 in K-style Leg

Setting up your P-500 in the K-Style leg configuration saves valuable room because the stand can be placed next to a wall. ONLY place the bikes on the front side of the stand so as to maintain balance and keep the stand from toppling over. Maximum bikes per stand is TWO (2).

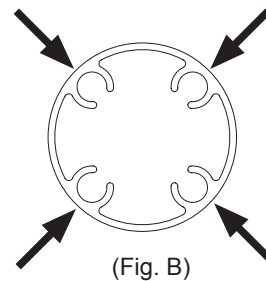
1

First of all, confirm the Base Plates. They are not the same. The upper side plate (will be attached to the Lower Pillar) has larger holes to allow the bolts putting through, and there are 4 holes in the center area for connecting to the Lower Pillar. The lower side plate has smaller threaded holes, and there is no hole in the center area. Please be sure that the hole pattern is not symmetric. The in-line 4 holes comes to backside. (see Fig. A)



2

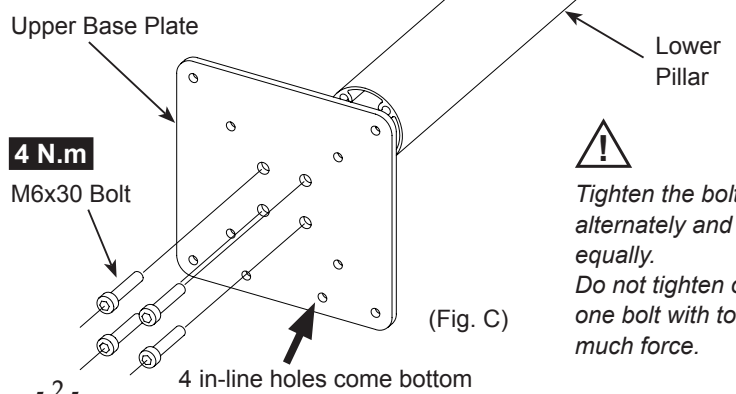
Confirm the Lower Pillar direction. Look at the pillar end, you will see 4 C-shaped ribs inside. (see Fig. B) If the C-shaped ribs are threaded, those must be at the bottom with the non-threaded end at the top. (Upper Pillar has a plastic cap on its top)



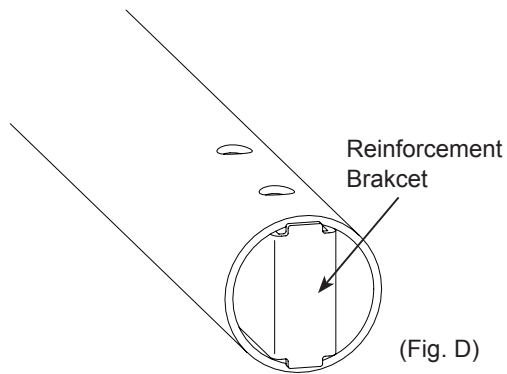
The cut out under the Pillar Joint Clamp must face forward.

3

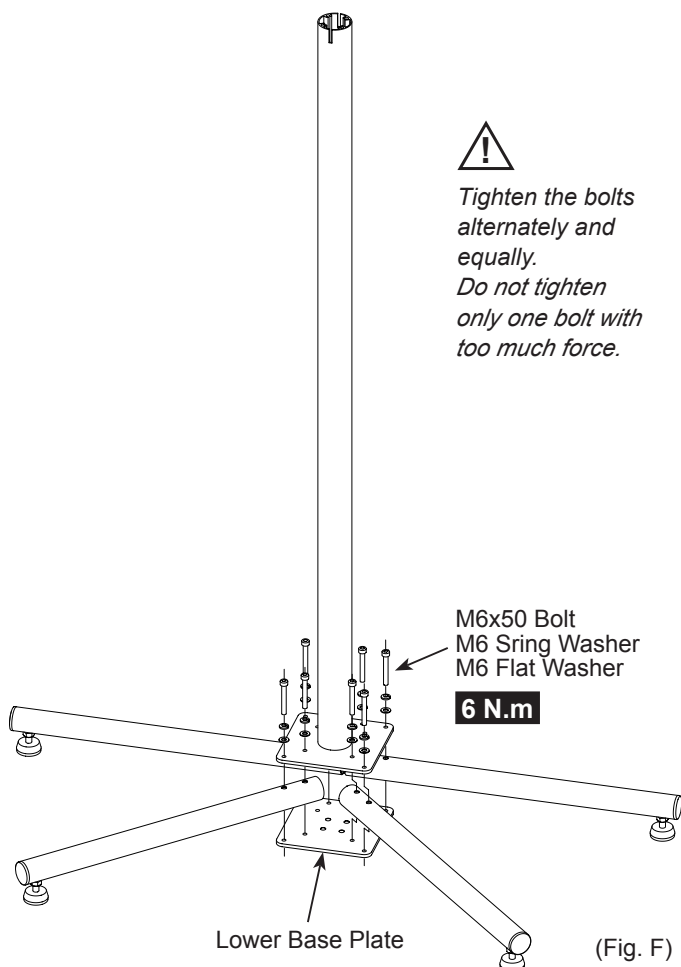
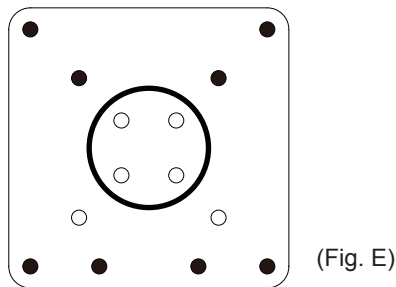
Place the Lower Pillar on the floor with the top cut out facing up. Set the Upper Base Plate to the pillar as shown in the Fig.C. Screw 4 - M6x30 bolts to the threaded C-shaped ribs in the Lower Pillar through the center holes. Tighten the bolts with the 5mm hex wrench. (Tightening Torque = 4 N.m)



- 4** Install the legs.
All 4 legs are exactly the same size.
Each leg has an inner Reinforcement Bracket on its end to prevent deformation when tightening the bolt. Make sure this bracket is set in the deepest position in the tube. (see Fig. D)
Do not use the leg without the bracket.



- 5** Place 4 legs as the letter-K. Sandwich them with the Upper and the Lower Base Plates. Put 8 – M6x50 bolts into the holes (marked in black) on the Upper Base Plate, pass through the leg tube, and screw to the threaded hole. **(Tightening Torque = 6 N.m)**

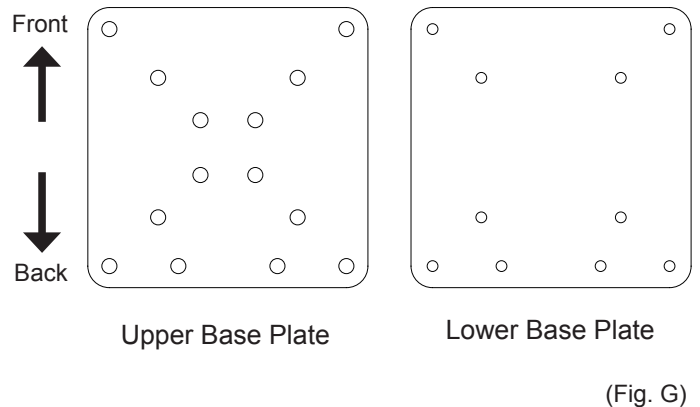


Assemble P-500 in X-style Leg

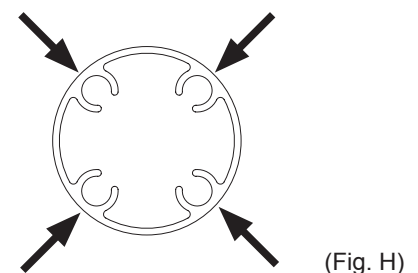
Setting up the P-500 in the X-style allows the stand to be placed anywhere due to the larger footprint and maximum stability of the X.

It also allows you to install extra bike cradles and/or optional attachments on the back side (max number of bikes is 4). Please note, setting the stand up in the X-style does require more floor space.

- 1** First of all, confirm the Base Plates. They are not the same.
The upper side plate (will be attached to the Lower Pillar) has larger holes to allow the bolts putting through, and there are 4 holes in the center area for connecting to the Lower Pillar.
The lower side plate has smaller threaded holes, and there is no hole in the center area.
Please be sure that the hole pattern is not symmetric. The in-line 4 holes comes to backside. (see Fig. G)



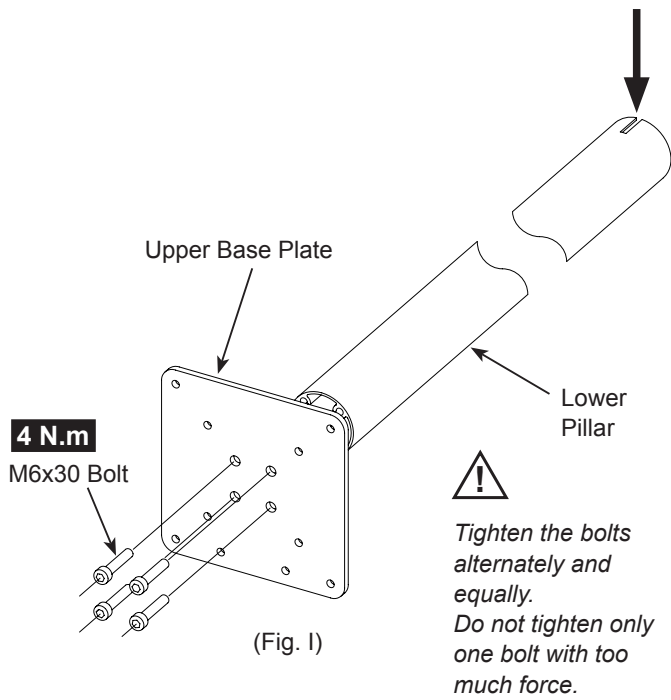
- 2** Confirm the Lower Pillar direction.
Look at the pillar end, you will see 4 C-shaped ribs inside.
If the C-shaped ribs are threaded, those must be at the bottom with the non-threaded end at the top. (see Fig. H)
(Upper Pillar has a plastic cap on its top)



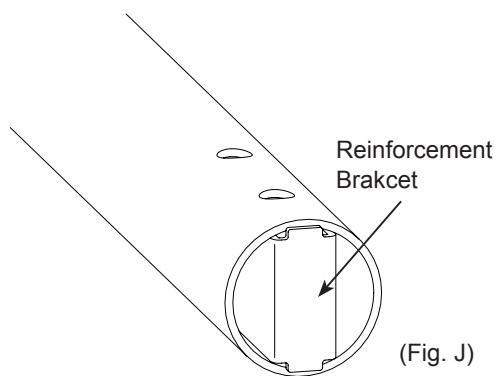
- 3** In the K-style leg pattern, the Lower Pillar direction has been fixed. But in the X-style, you can set the Lower Pillar at any direction as you want.

Set the Upper Base Plate to the pillar as shown in Fig. I. Screw 4 – M6x30 bolts to the threaded C-shaped ribs in the Lower Pillar through the center holes. Tighten the bolts with the 5mm hex wrench.
(Tightening Torque = 4 N.m)

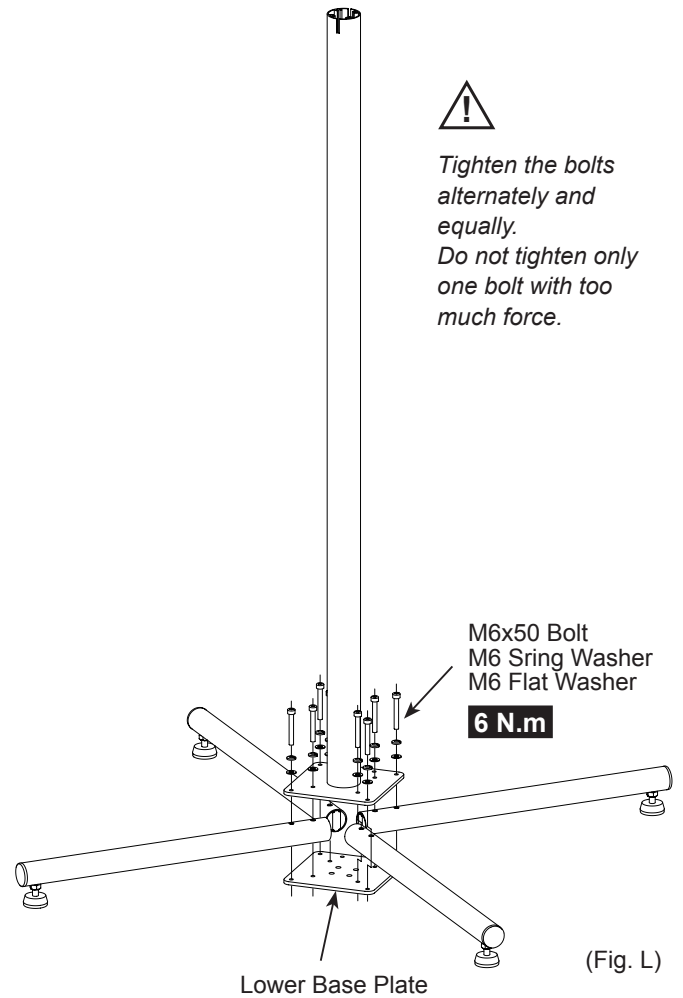
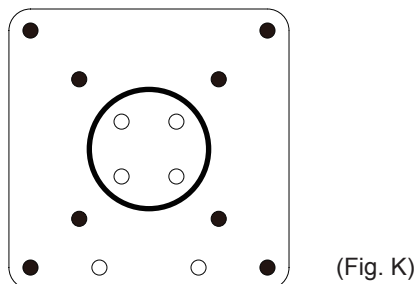
The direction of the cut out under the Pillar Joint Clamp is NOT fixed when using the X-style leg pattern



- 4** Install the legs. All 4 legs are exactly the same size. Each leg has an inner Reinforcement Bracket on its end to prevent the deformation when tightening the bolt. Make sure this bracket is set in the deepest position in the tube. (see Fig. J) Do not use the leg without the bracket.



- 5** Place 4 legs as the letter-X. Sandwich them with the Upper and the Lower Base Plates. Put 8 – M6x50 bolts into the holes (marked in black) on the Upper Base Plate, pass through the leg tube, and screw to the threaded hole. **(Tightening Torque = 6 N.m)**



About Foot Adjuster

The Foot Adjusters help to keep the stand stable with all points contacting the floor evenly.

Adjust the length by turning the rubber foot as to be the pillar stands vertical as perfectly as possible. After fixing the length, screw the lock nut toward the leg, and tighten it with the 13mm spanner.

Join The Pillars

The pillars on P-500AL-6S are separated, not a single piece. Both pillars have same diameter, and the Pillar Joint fastens the pillars. Pillar Joint has already been installed on the Upper Pillar. You insert it into the Lower Pillar, then tighten the clamps to fix.

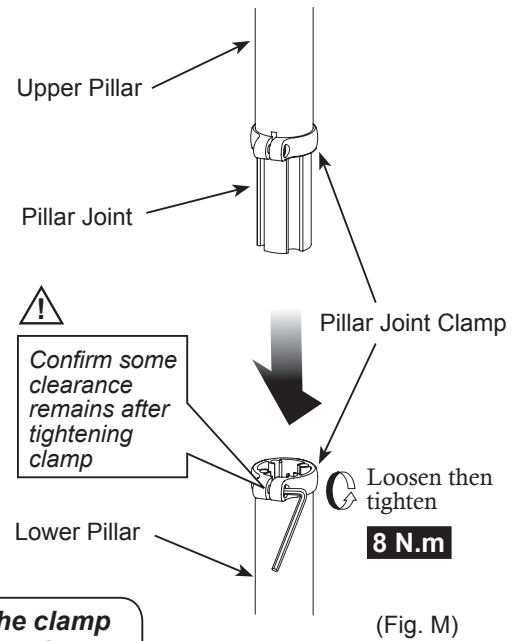
- 1** At first, loosen the clamp on the Lower Pillar using 5mm hex wrench.
- 2** Insert the Pillar Joint into the Lower Pillar.
- 3** While keeping both pillars tightly attached, tighten the clamp firmly. (Tightening Torque = 8 N.m)



Regularly check if the clamp bolts are securely tightened. If these bolts have been loosened, the pillar could come apart and fall down.



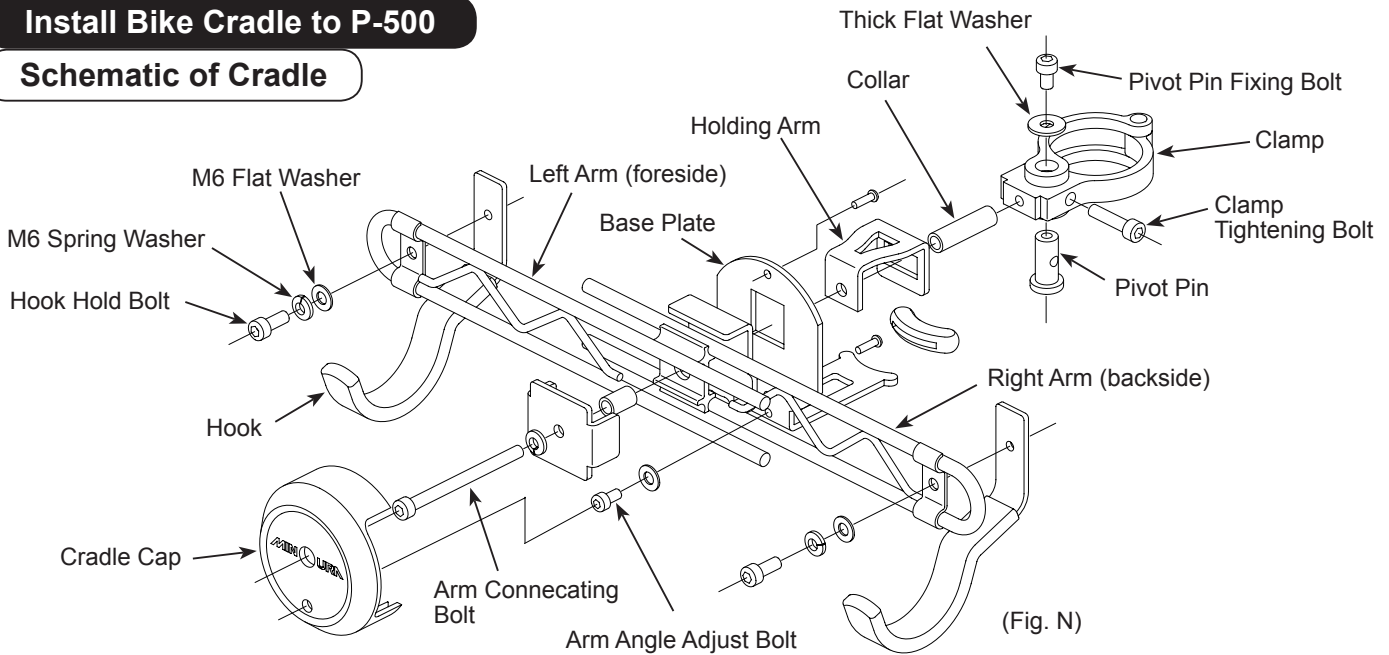
If you apply too much torque when tightening the bolt, the clamp may be deformed. If the clamp ends touch each other, it no longer works and you'll need to replace it with a new clamp immediately.



(Fig. M)

Install Bike Cradle to P-500

Schematic of Cradle



(Fig. N)

- Both bike cradles are exactly same.
- It is different from the original cradle found on BikeTower20 on its hook position. It is 40mm further from the pillar in order to avoid conflicting the pedal to the pillar when it is rotated. It is sold separately under the name of "Bike Cradle 20.2". When you need to add more cradles, choose this model.
- The gray plastic shim found on BikeTower series doesn't come with P-500 because the 45mm diameter pillar doesn't require such spacer. The shim is used only for the 40mm diameter pillar.

- 1** The clamp is pre-installed on each bike cradle. All that is need to secure the cradle in place is open the clamp and turn it clockwise to tighten.

The bike cradle can be installed anywhere on the pillar. But make sure the cradle faces the exact center if using the stand in the K-style configuration.

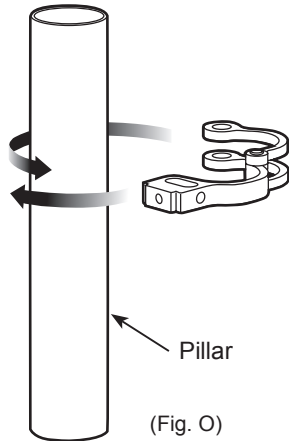


Do NOT remove the arm connecting bolt. Doing so will cause the cradle to come apart completely. Just loosen it slightly if you need to adjust the arm angle.

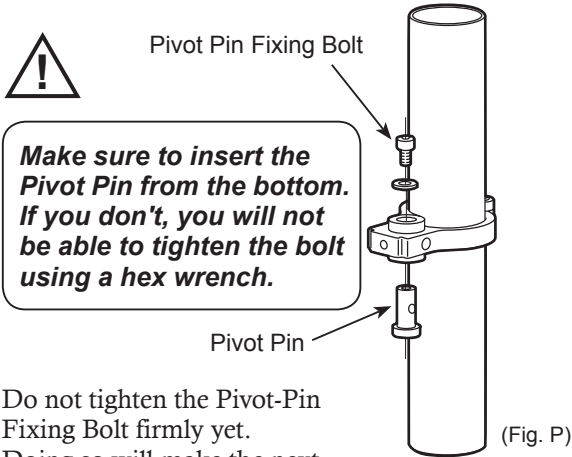
(To explain about the clamp, the cradle is not shown here)

2 Wind the clamp arms around the Pillar.

(The following description is set as the single side arm is on YOUR right, and the double side arm is on YOUR left.)



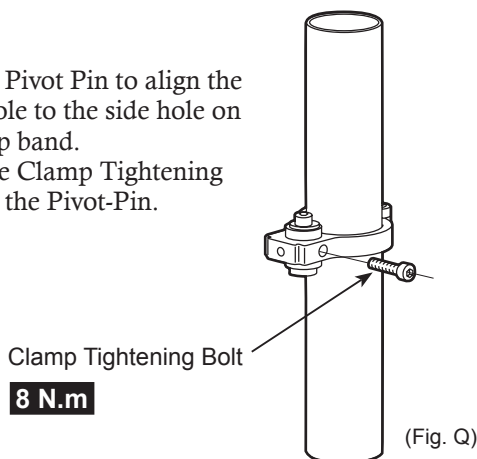
3 Put the Pivot Pin through all 3 holes on the clamp band from bottom side, and screw the Pivot Pin Fixing Bolt with the Thick Flat Washer temporarily.



Make sure to insert the Pivot Pin from the bottom. If you don't, you will not be able to tighten the bolt using a hex wrench.

Do not tighten the Pivot-Pin Fixing Bolt firmly yet. Doing so will make the next part more difficult.

4 Turn the Pivot Pin to align the thread hole to the side hole on the clamp band. Screw the Clamp Tightening Bolt into the Pivot-Pin.

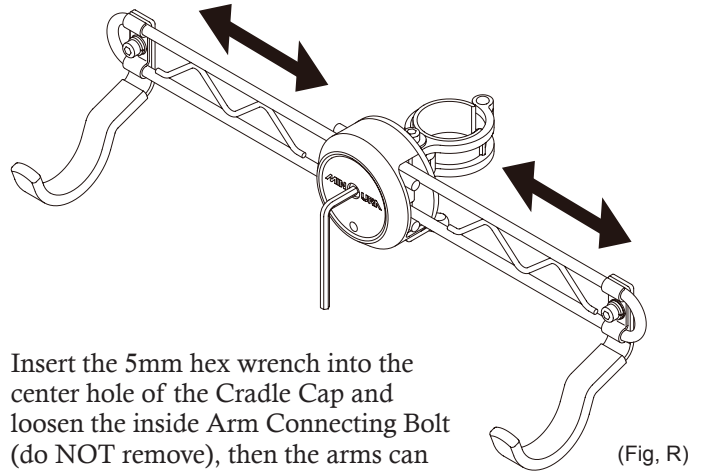


Clamp Tightening Bolt
8 N.m

5 Tighten the Clamp Tightening Bolt first. After that, tighten the Pivot Pin Fixing Bolt firmly. (Tightening Torque = 8 N.m)

6 Finally, install the Hooks onto the bracket on the arm end.

How To Slide Cradle Arm



Insert the 5mm hex wrench into the center hole of the Cradle Cap and loosen the inside Arm Connecting Bolt (do NOT remove), then the arms can slide side to side independently to fit your bike frame.

After adjustment, tighten the bolt firmly to fix the position.

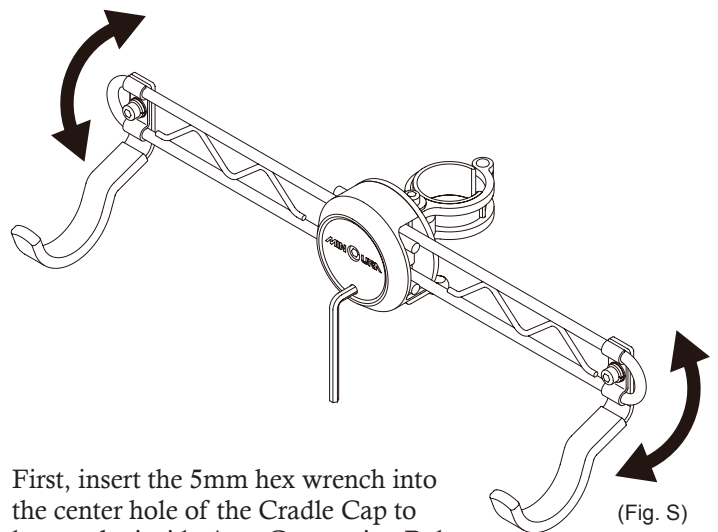


Do NOT pull the arm too much over the limit. The arm will come off and the cradle will come apart. If you have once disassembled the cradle, you need to remove the clamp from the cradle, then remove the Cradle Cap to assemble the whole cradle again.



Do NOT try to adjust the arm position with a bike in the cradle. The bike may fall down causing injury and possible personal injury.

How To Adjust Arm Angle



First, insert the 5mm hex wrench into the center hole of the Cradle Cap to loosen the inside Arm Connecting Bolt a little. (see Fig. R)

Next, insert the hex wrench into the lower hole to loosen the Arm Angle Adjust Bolt. (see Fig. S) Now the cradle can change its angle to fit your bike frame. After adjustment, tighten BOTH bolts firmly to fix the position.

Mounting Your Bike

To mount your bike on the P-500, place the hooks under the crossing sections of the frame tubing. You should set the hook distance as wide as possible for greatest stability.

On a normal diamond type frame, you will hook the top-tube with both hooks, but in the case of sloping frame or other specially designed frame, you can change to another point such as behind the seat-tube to avoid slippage problem. (see Fig. T)

Choose the most stable section for maximum safety.



If the bikes front wheel is positioned higher than the rear, the front wheel may move side-to-side. This could cause incidental damage to your bike if the handle bar or brakes or other parts come in contact with your frame.

Adjust the bike accordingly to avoid incidental contact. Or we strongly recommend you to connect the front wheel and the down-tube with a strap belt.

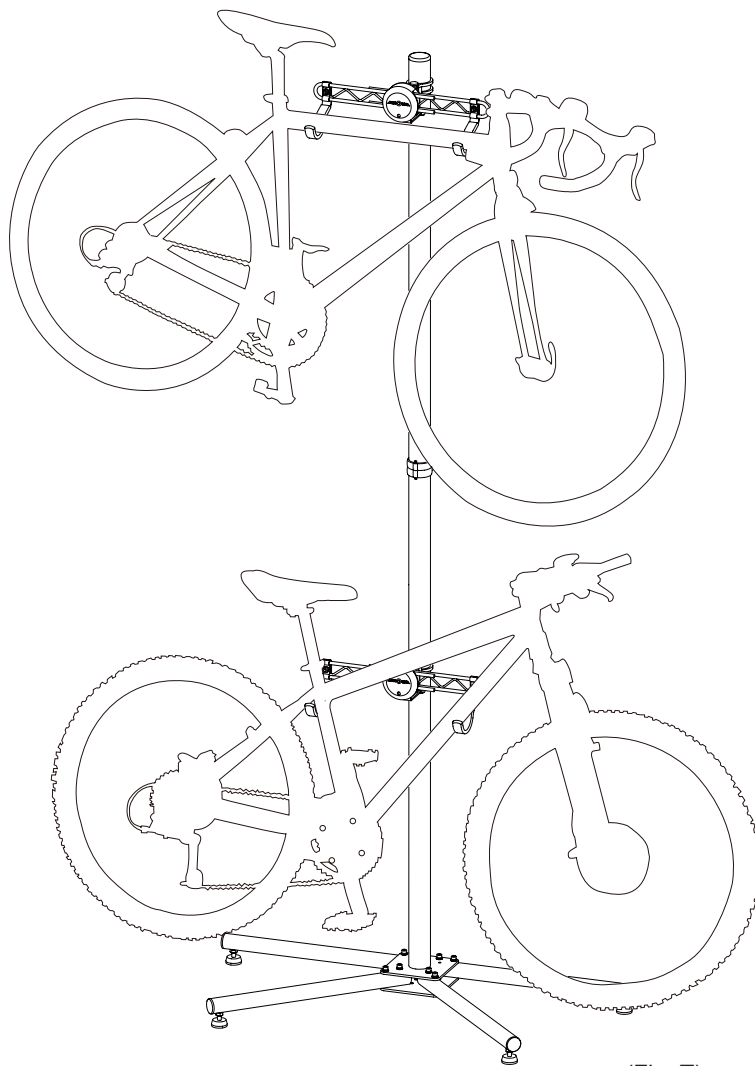


You should mount the heavier bike on the bottom cradle and the lighter bike on the top cradle for the better weight balance. If you take the bike off from the bottom cradle and another bike remains on the top cradle only, please pay attention to the balance in order to avoid the bikes causing the stand to tip or fall down.

Stain To Bike Frame



The hook material may leave stain to the bike frame finish, especially on the light color such as white. To avoid this kind of problem, we recommend you to put a piece of bar-tape on the hook or wrap the hook with bandage in order to prevent touching each other directly.



(Fig. T)

Warranty Period

Minoura offers **1-year limited warranty** from the date of your purchase.

Any problem cause by manufacturer defect or workmanship will be covered under this warranty.

But any trouble caused by user's misuse, wrong assembling, unapproved modification, natural calamity or shipping damage will not be covered under this warranty.

For more detail, please refer the attached "**Minoura Limited Warranty Policy**" card in the kit.

And we recommend you to checkout Minoura's web site regularly for the latest information.

<Complete condition in K-style leg>

