

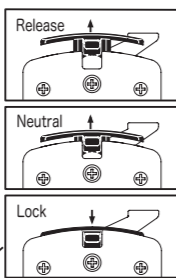
Variations

2 different clamp sizes are available.

- **iH-520-STD** : Fits 22 – 29mm diameter
- **iH-520-OS** : Fits 27 – 35mm diameter

Functions

Side wings can be locked to prevent unexpected opening from shock or vibrations during ride.



Make sure you securely lock the wing before start riding.

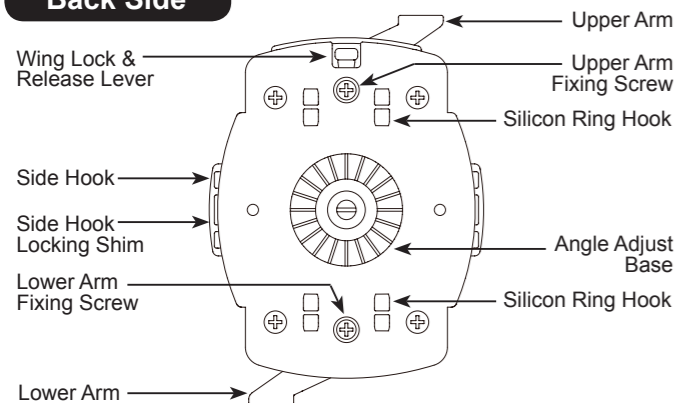
Holds the phone securely from all 4 directions. The arms are fully adjustable.

The side wings open wide to accommodate devices up to 75mm wide, with or without a case.

Do not push the wings again after locking. This action will automatically release the lock.

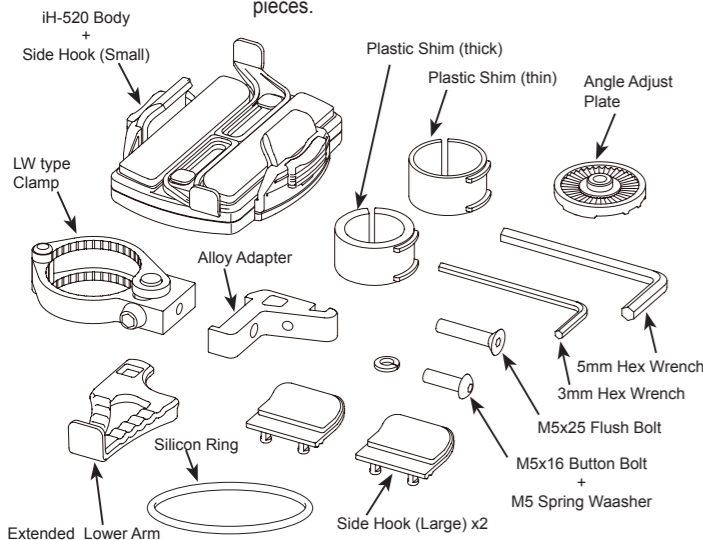
The included white silicon ring is a safety device for holding the phone together with the holder in order to prevent unexpected dropping off problem.

Back Side



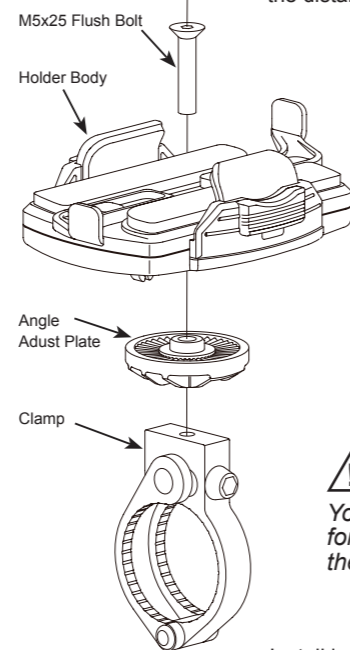
Contents

Check to make sure you have all the parts. Contact place of purchase if you are missing pieces.



Installation – 1

Install just above the clamp. For mounting on the stem or for minimizing the distance to you.



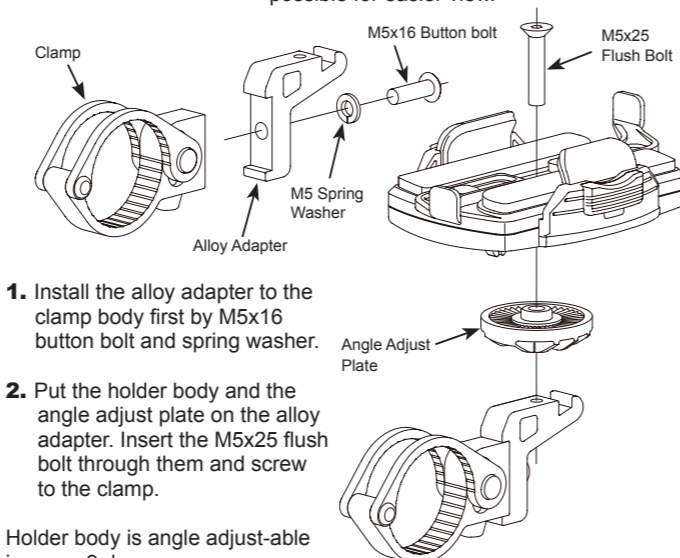
Place the holder body and the angle adjust plate on the clamp. Pierce the M5x25 flush bolt through them and screw to the clamp.

Holder body is angle adjustable in every 9 degrees. To adjust the angle, loosen the flush bolt, lift up and turn the holder. After adjusting, tighten the flush bolt firmly.

You should need OS-size clamp for mounting on the stem due to the applicable diameter.

Installation – 2

Install in front of the handlebar. For locating the phone screen as far as possible for easier view.

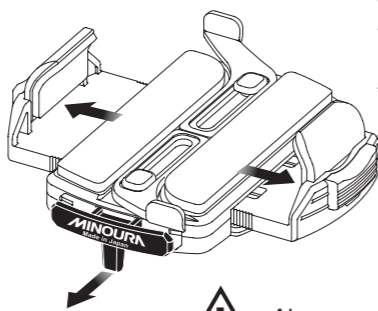


1. Install the alloy adapter to the clamp body first by M5x16 button bolt and spring washer.
2. Put the holder body and the angle adjust plate on the alloy adapter. Insert the M5x25 flush bolt through them and screw to the clamp.

Holder body is angle adjustable in every 9 degrees. To adjust the angle, loosen the flush bolt, lift up and turn the holder. After adjusting, tighten the flush bolt firmly.

Open / Close the Wings

To open the wings, pull the red wing release lever. To clamp the phone, just push the wings inward until they tightly hold the phone. After clamping, push down this lever to lock the wings securely.



Do not push the wings again after locking. This will not tighten the wings but will automatically release the lock.

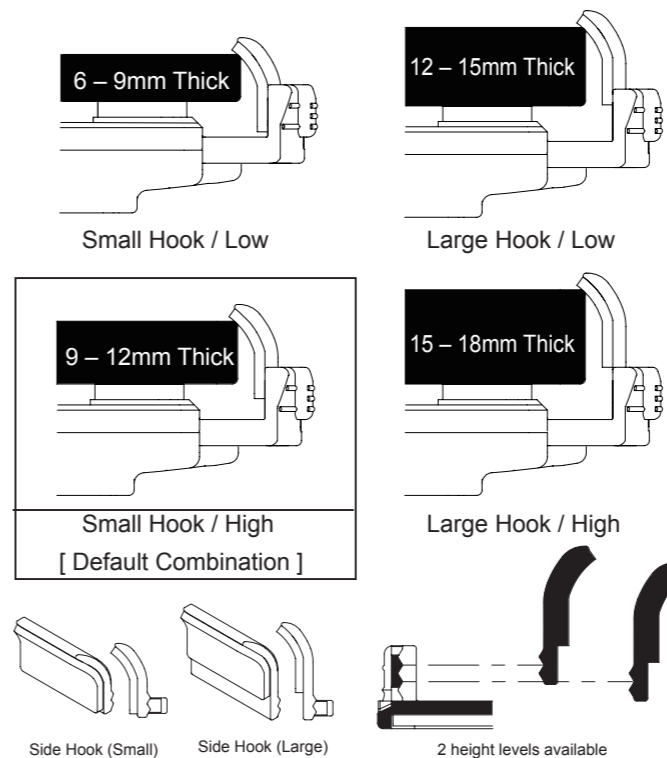
Always push the lock lever as the final step.

Using Silicon Ring

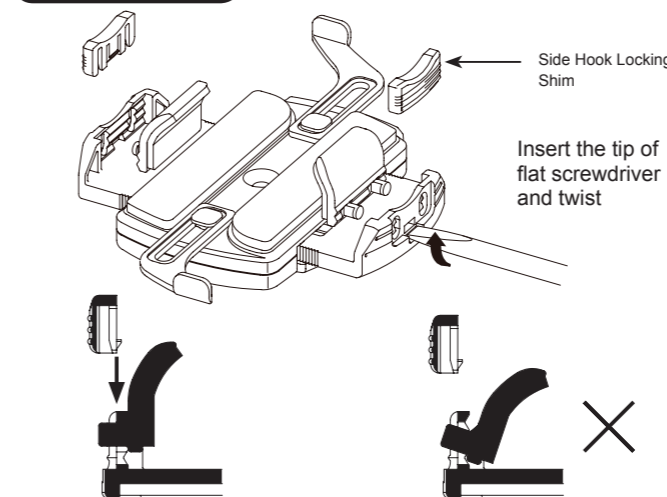
Embed the silicon ring to the backside hooks, and hold both the holder and the phone in order to avoid unexpected dropping problem.

Adjust Hook

iH-520 comes with 2 sets of Side Hooks and the smaller hooks are installed in standard. Each hook can be set at 2 levels to fit various thickness of the phone case. Choose the best hook size and position to your actual phone size.



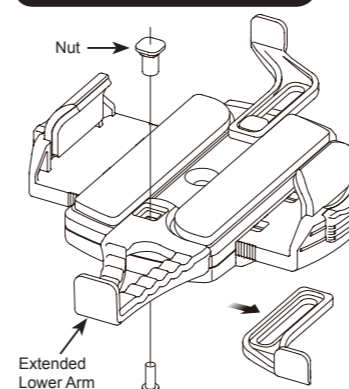
Replace Hook



While pushing the hook fully toward the wing end, slide down the shim to the pins to fix. Make sure you fully push down the shim.

If the hook is slanted, the shim cannot be installed.

Replace Lower Arm

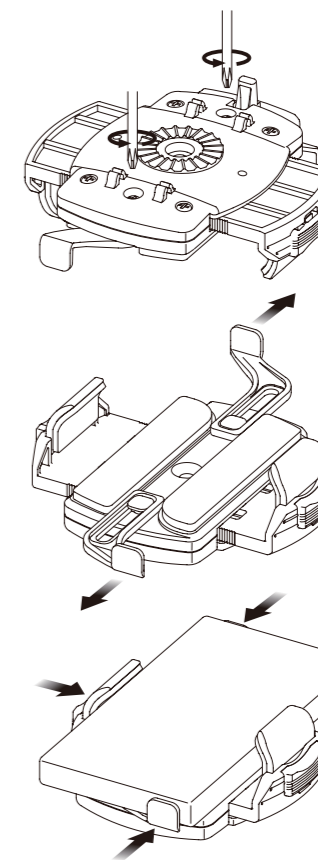


If you are using an iPhone 6plus or similar, you need to replace the the lower arm with the extended arm if your phone is longer than 147mm (max. 163mm). The arm is not position adjustable.

1. Loosen the backside lower arm fixing screw, and remove the lower arm and the nut.
2. Replace the lower arm to the extended one.
3. While sticking the extended arm to the holder body, insert the nut into the hole and tighten the screw firmly.

Adjust Arms

Adjust the arm position to fit the actual phone size.



The center chrome plated screw holds the arm. Loosen it to adjust the arm position.

Do not loosen any other screws.

Slide the arms to make wide space.

Put the phone on the holder and close the wings to hold the phone.

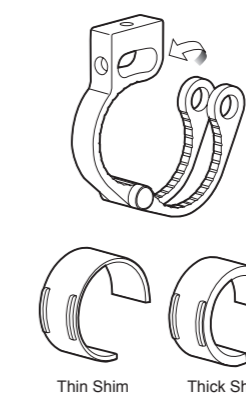
If the phone power switch has been on or off unexpectedly because the wing pushes the button when holding, add a piece of pad (supplied) on the existing pad on the side hook.

Slide both arms until they touch the phone case. Tighten the backside screws to fix the position.

We recommend you set the phone in the center of the holder for the best fit.

Clamp Mechanism

iH-520 comes with the lightweight type clamp which requires a tool to tighten.



Disassemble the clamp, wrap the handlebar and shut the arms.

Insert the appropriate plastic shim between the clamp and the handlebar depending on the target tube diameter. See the chart below;

	[STD]	[OS]
Thick Shim:	22mm / 27mm	
Thin Shim:	25mm / 32mm	
without Shim:	29mm / 35mm	

Insert the roll nut in the all 3 holes. Make sure the thread hole on the roller nut can be seen through the hole beside the clamp body.

Screw the bolt to the thread hole on the roll nut. Be sure you must screw the bolt with your fingers for the first 3 – 4 revolutions, then use the 5mm hex wrench to fix the clamp securely.

You should not use the hex wrench from the beginning. If the bolt has been slanted, it will destroy the roll nut.

Be sure the roll nut is made of soft alloy material. Do not force to tighten, otherwise the thread hole will be broken.