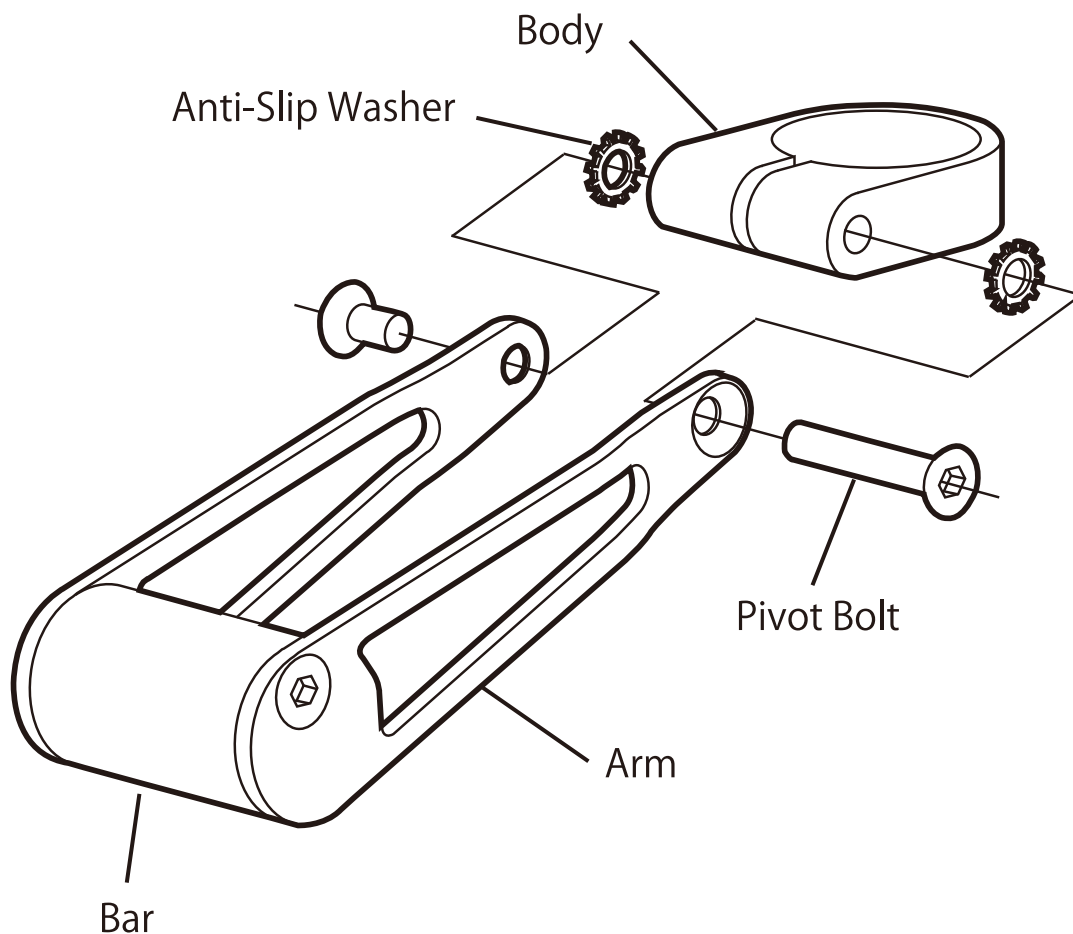


# MINOURA

# Spacer Grip

One Light or Computer Holder

## CS-500



- Stylish extra bar for one accessory (LED light or computer) above or below the stem by adjusting the angle.
- Material : Light alloy
- Dimensions : 25.4(D) x 50(L)mm , Distance : 120mm , Thickness : 12mm
- Replace a 1-1/8" Headset spacer

### MINOURA JAPAN

1197-1 Godo, Anpachi, Gifu 503-2305 Japan

Phone: +81-584-27-3131

Fax: +81-584-27-7505

minoura@minoura.jp

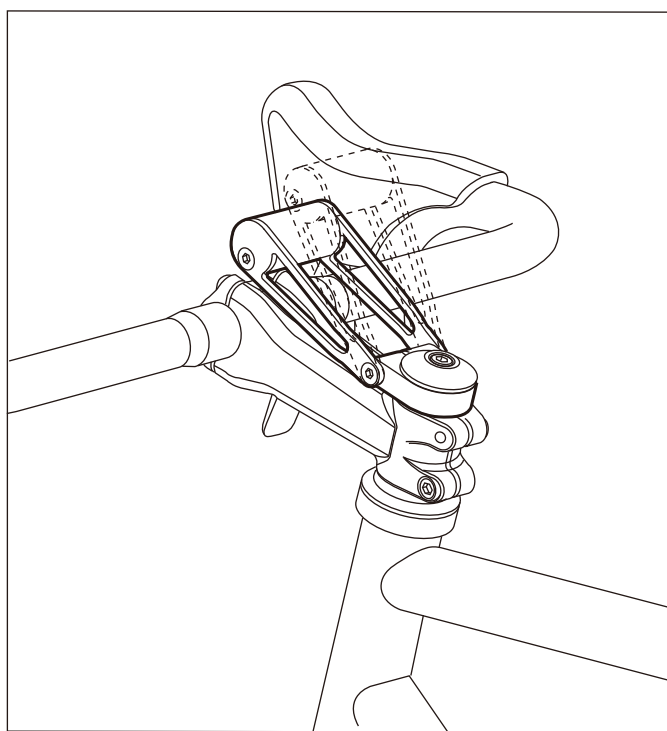
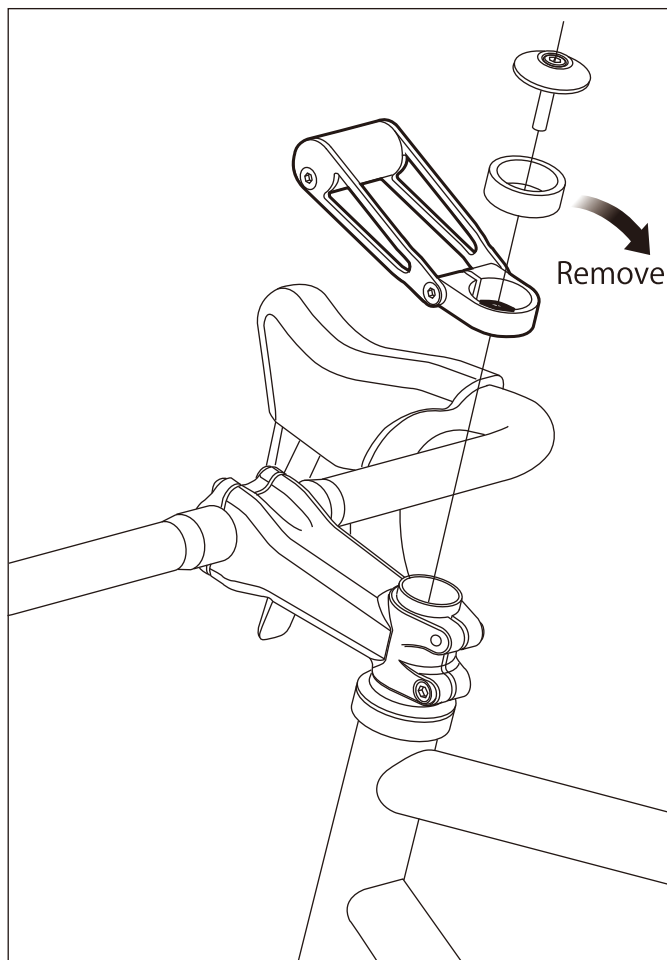
www.minoura.jp

Made in Japan

## Installing Above The Stem

Remove ahead cap and spacer. Insert CS-500 into the post, put the ahead cap on and tighten the ahead cap bolt. If you don't have the spacer on the stem, you may have to remove one or more spacers from the lower part. Please note it will change the handlebar position. Do not install CS-500 if there is not 5mm or more length of the post above the stem. Make sure the steering angle is correct and the headset is tightly assembled before riding.

CS-500 is angle adjustable. After finishing installation, loosen the bolts on foot of the arm, adjust the angle, then tighten the bolts to fix.

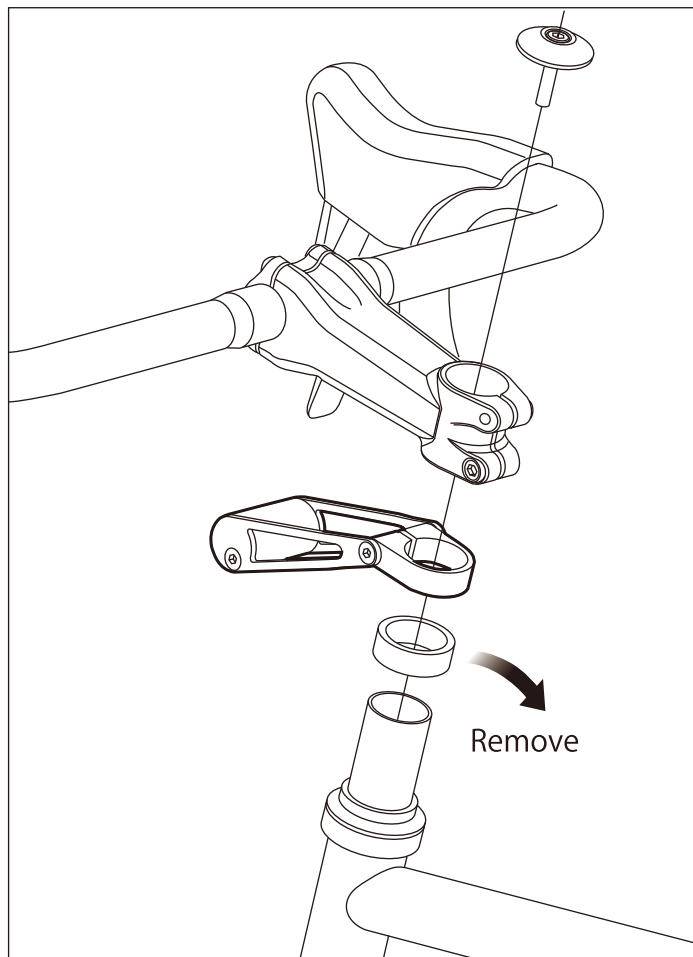


## Installing Under The Stem



This requires disassembling the steering system. If you are not confident in rebuilding such important parts correctly, we strongly recommend you to ask to a professional mechanic for setting up.

Remove ahead cap, stem and bottom spacer.  
Insert CS-500 into the post then reinstall the parts.  
Tighten the ahead cap bolt with proper torque, then tighten the stem bolts firmly.  
Make sure the steering angle is correct and the headset is tightly assembled before riding.



CS-500 is angle adjustable.  
After finishing installation,  
loosen the bolts on foot of  
the arm, adjust the angle,  
then tighten the bolts to fix.

