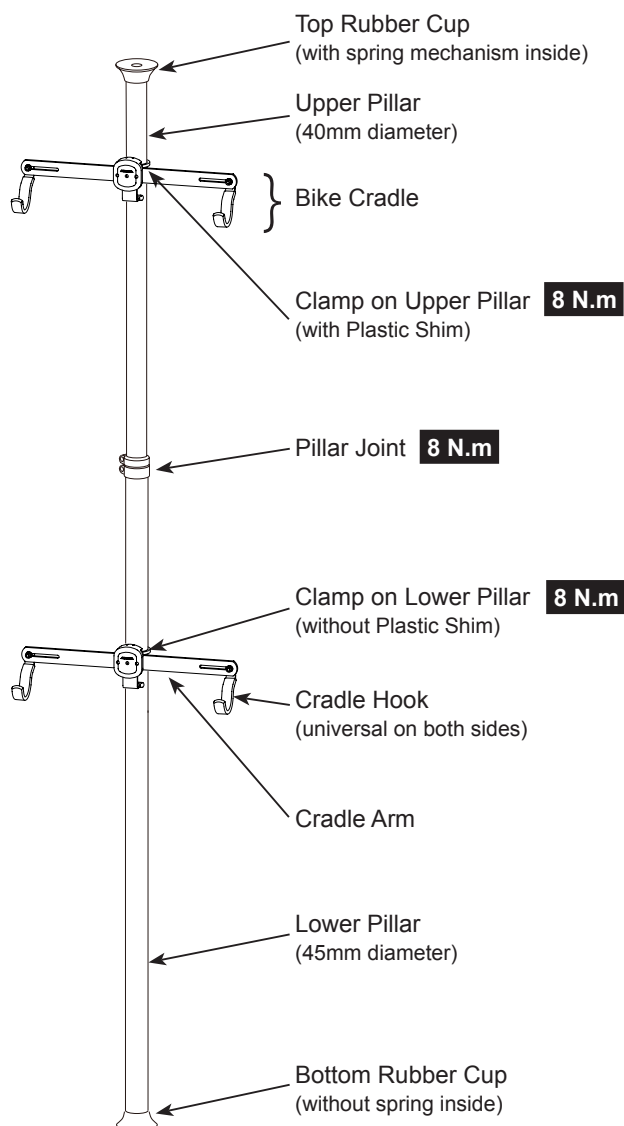


Thank you for choosing the Minoura **BikeTower 15**. BikeTower is a very convenient and easy to set up bike storage stand that can be installed in any room where the ceiling height is between 1.7 and 3.1 meters high.

BikeTower comes with two bike cradles, and it can be expanded up to 4 bikes and other items by installing optional bike cradles and attachments.

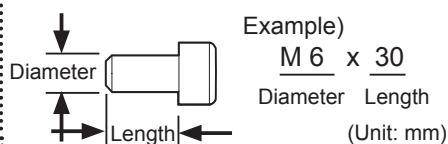
Read this instructions manual carefully before use for your safety, and keep on hand for future reference.

## Part Name



Recommended Tightening Torque = 8 N.m

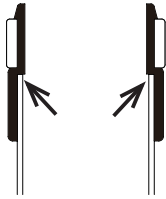
### How To Read The Bolt Size



## Important Notes

- Use the supplied plastic tie to hold the pillar to the ceiling or the wall to avoid the stand from toppling over if the pillar length was shortened if there was an issue with the locking bolt.  
*Minoura is not responsible for damage caused by misuse or improper installation.*
- For standard 2-wheel bike only. Not for use with tandems or long wheel-base bicycles.
- Each bike cradle is rated to hold up to 25 kgs.  
*If mounting heavy bikes, check the cradle bolts often to make sure they have not come loose.*
- Check to make sure the Pillar Joint has remained secure by pulling down the Upper Pillar after tightening the Pillar Joint Bolt and the Lock Plate Bolt.  
*If the pillar has moved after tightening, discontinue using and contact your dealer or Minoura distributor in your country. You may need to replace the metal ring of the Pillar Joint.*
- The pillar is supported by the internal spring applying pressure to the ceiling.  
*Make sure that the pillar comes in contact with a stud or other reinforced area of the ceiling otherwise the spring pressure may cause damage to the dry wall or ceiling.*
- Adjust the pillar length correctly. If the red plastic appears beneath the Upper Rubber Cup, it means the pillar is not adjusted properly (too short).
- Do not install the pillar upside down.  
**NEVER use BikeTower horizontally. It is for vertical use ONLY.**
- The pillar must be completely vertical, and not at any angle.  
*Failure to do so will cause the stand to fall.*
- The rubber cap material may leave a mark on some ceilings or floors.  
*We recommend placing a small piece of fabric, paper or wooden plate between the rubber cup and the ceiling. Do not use a slippery material such as a Vinyl sheet.*
- The coating on the cradle hook may leave a mark on your bicycle frame.  
*We recommend wrapping a piece of bar tape on the hook where it comes in contact with the frame.*
- Depending on the bike size, you may have to change the clamp position from the fatter Upper or Lower Pillar to the narrower Center Pillar.  
*In this case, install the supplied gray plastic shim between the clamp and the pillar.*
- The pillar is just a single pole so it's easy to turn. Do not place any fragile items or sharp edge articles around the pillar.
- This product is subject to change without prior notice for quality and safety improvements.

**1**



(Fig. A)

The pillars are temporarily assembled in the package. The Upper Pillar is retracted in the Lower Pillar.

The first thing you must do is checking if the Loosen the plastic sleeve of the Pillar Joint has been sit in the deepest position on the Lower Pillar. The Lower Pillar must be fully inserted into the Pillar Joint.

If the Pillar Joint has been kept in floated, it could suddenly sink down while installing or using the BikeTower. It should cause a serious falling down accident.

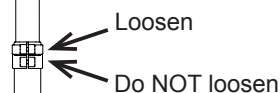
Loosen the lower bolt on the Pillar Joint and fully push the sleeve down toward the Lower Pillar until it touches the pillar end. Then tighten the bolt firmly. (Fig. A)

**2**



Extend

Loosen the upper bolt on the Pillar Joint to extend the Uper Pillar toward the ceiling. (Fig. B)



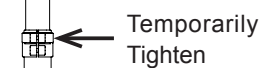
Loosen  
Do NOT loosen

(Fig. B)

**3**



When the Top Rubber Cup reaches the ceiling, stop extending the pillar and temporarily tighten the upper bolt to keep this pillar length. (Fig. C)



Temporarily Tighten

You don't need to compress the spring in the Top Rubber Cup yet. Just touching the ceiling is OK for now.

This is the first pillar length that fits to your actual room height. You will adjust the pillar to the final size later.

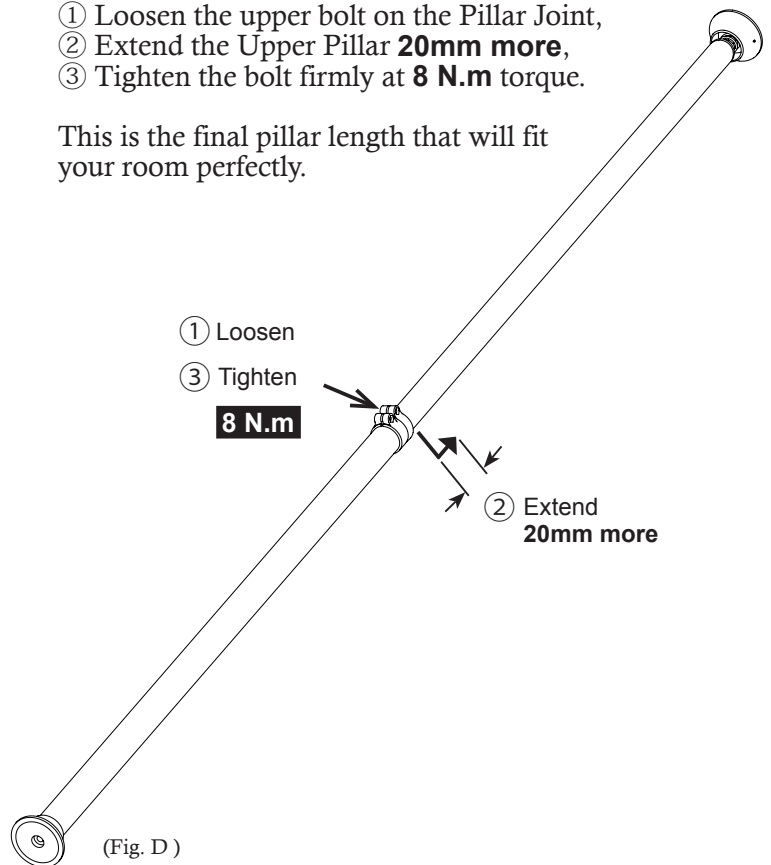
(Fig. C)

**4**

Adjust the pillar length to the final size. (Fig. D)

- ① Loosen the upper bolt on the Pillar Joint,
- ② Extend the Upper Pillar **20mm more**,
- ③ Tighten the bolt firmly at **8 N.m** torque.

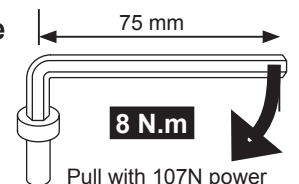
This is the final pillar length that will fit your room perfectly.

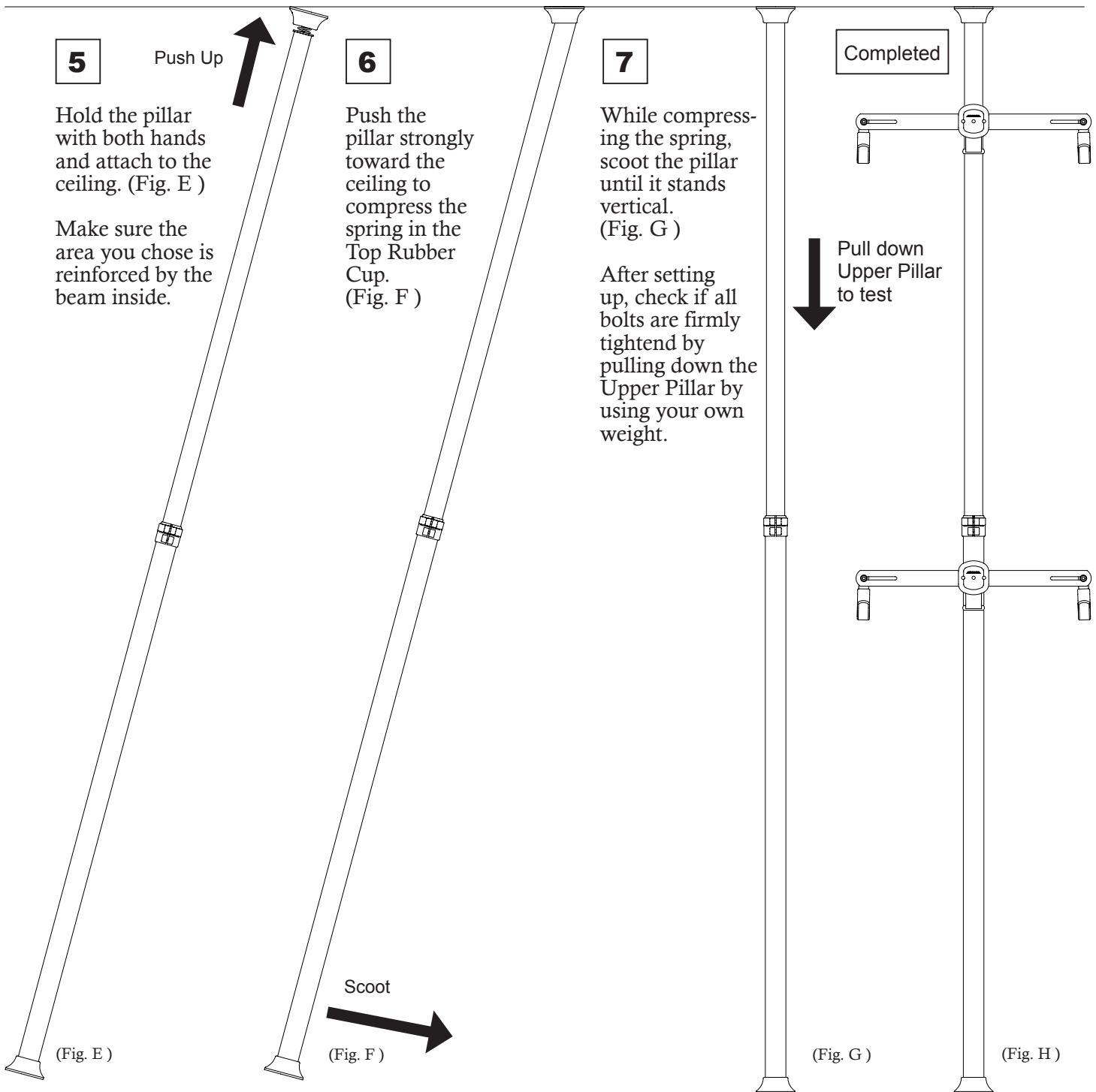


(Fig. D)

**Calculation of Tightening Torque**

If the hex wrench length is 75mm, pull the wrench tip with the power of 107N (11 kgf) to expect 8 N.m tightening torque.

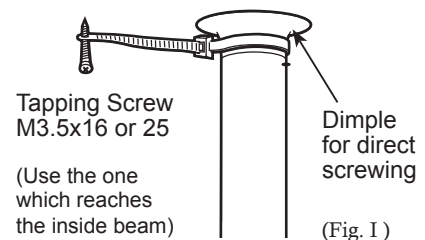




**13** To prevent the possibility of the bikes falling down, Minoura strongly recommends you to use the supplied plastic tie to support the pillar.

Wind the plastic tie around the pillar (just beneath the Top Rubber Cup), squeeze the tie, and keep the end on the ceiling or the wall with the supplied screw where a beam is located inside for reinforcement.

Or you can fix the Top Rubber Cup on the ceiling directly by screwing at the dimple on the cup. (Fig. I)  
Make sure you screw into a support beam.



## Important Notes



*Be sure to perform the pillar test for your own safety. Minoura is not responsible for any damage that might occur from not performing this test.*

*If the pillar has been shortened, it means the bolt on the Pillar Joint has not been tightened firmly enough. If loosened, tighten it at **8 N.m** torque after adjusting the pillar length correctly.*

*It is your responsibility to regularly check the red indicator beneath the Top Rubber Cup.*



*Set up the pillar perfectly vertical.  
If the pillar is slanted, it may fall down when a load is applied.*



*Use the supplied plastic tie.  
Minoura will not be responsible for any problem if you miss it.  
If you cannot use the tie due to the ceiling or wall material, it is your own responsibility to use BikeTower alone.*

*Make sure you screw to the reinforcement beam. The screw may come off easily if you screw to just a panel.*



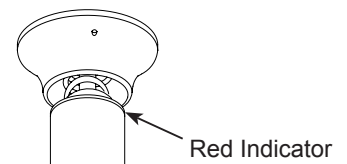
*Regularly check if the red indicator becomes visible just beneath the Top Rubber Cup. (Fig. J)*

*If you can see the red indicator, it means the pillar becomes too short and may be unstable.  
Remove the pillar from the ceiling, extend it until the indicator becomes hidden, then install the pillar again.*

*If the pillar continues to become shorter even if you tighten the bolts firmly, the Pillar Joint may be deformed. Minoura will replace the joint parts.*

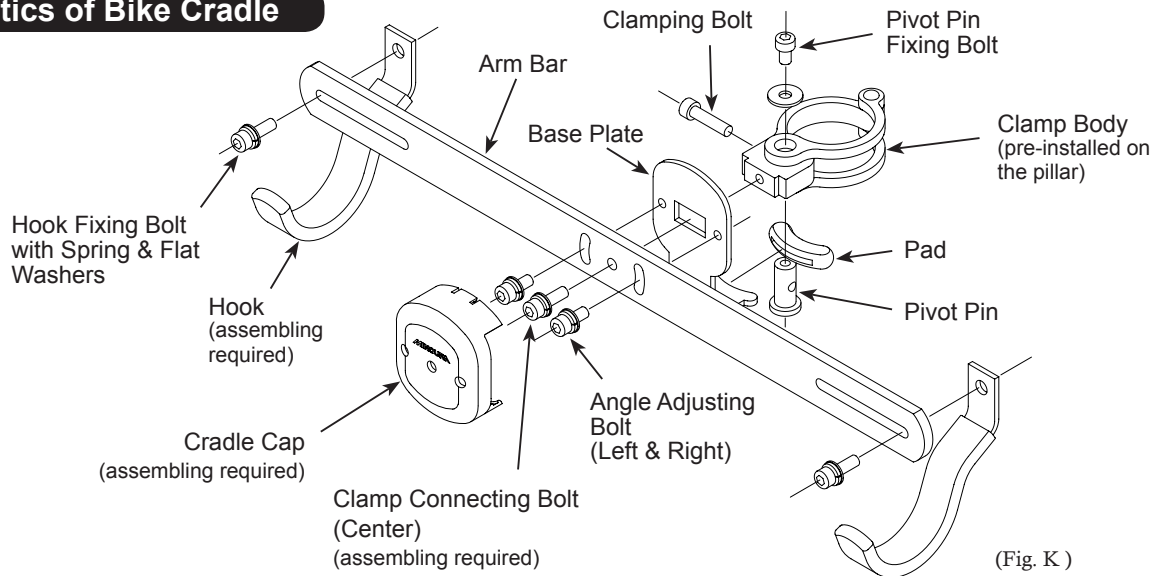
*Immediately remove your bikes from the stand and contact your dealer or the distributor from which you purchased the stand.*

*Do not continue using BikeTower while the pillar joint has been loosened.*



(Fig. J)

## Schematics of Bike Cradle



## How To Install Bike Cradle

**Required Tool:** 5mm Hex Wrench

The Clamp Body has been pre-installed on the pillar. You will install the bike cradle to the clamp. The hook and the cradle cap are separated. You will install them on the cradle later.

- 1 Install the rectangle projection part of the Clamp Body into the rectangle hole on the Base Plate. (Fig. K )



*Be sure to put the rectangle projection evenly and into the hole level. If it is not completely level, the clamp may be damaged and it will become difficult to screw the Clamp Connecting Bolt into the thread hole on the Clamp Body. The clamp body is made of softer light alloy material and this part cannot be repaired. You will have to replace it at your own expense if damaged.*



*A thread has a unique physical mechanism that you can screw the bolt in the slightly slanted angle. The bolt will stop turning after 2-3 rotations so do not force the bolt any further or you could cause damage to the stand. You must confirm first that you can rotate the bolt at least 3 rotations smoothly without using any tool. After that, you can use tool for tightening more.*

- 2 Screw a M6x20 cap bolt in the parts pack to the Clamp Body through the center hole on the Arm Bar. Tighten the bolt firmly (approximately 5 N.m) by 5mm hex wrench.

- 3 Install the Hooks to both ends of the Arm Bar. The hook is position and angle adjustable in order to fit your bike frame size and design as perfectly as possible.

- 4 Install the Cradle Cap to the Base Plate. You should attach the cap bottom first then push the top for better installation. Failure to do so may cause the cap breakage problem.



*After installation of the Cradle Cap, you will tighten or loosen the bolts through the cap hole. When you need to remove the cradle from the clamp body, you should not keep pushing the cradle forward. The cap will lift up naturally while loosening the bolt. Otherwise, the bolt head may push and remove the cradle cap.*

## How To Reinstall The Clamp

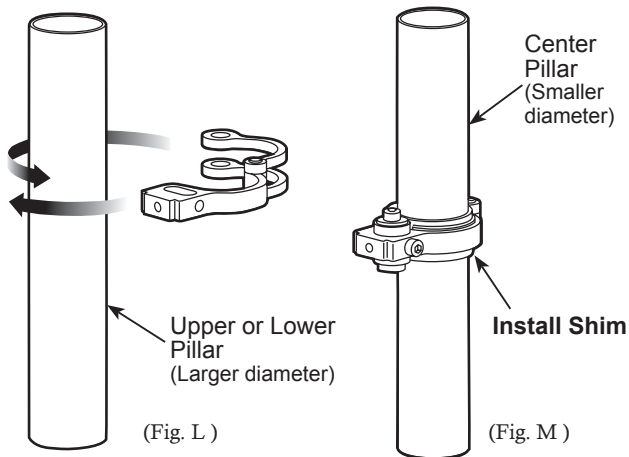
Required Tool : 5mm Hex Wrench

You may need to remove and change the installation position of the bike cradle from the fatter Lower Pillar to the narrower Upper Pillar depending on the bike size or the bike layout. To do so, follow the steps below. If you just change the installation position among the same pillar, just loosen the clamp, no need to remove.

**1** You can change the clamp position while the cradle is still on attached to the clamp. Loosen and remove the Pivot Pin Fixing Bolt, the Clamping Bolt, and the Pivot Pin. Now you can open the clamp arms to remove it from the pillar.

**2** Wrap the clamp arm around the pillar. (Fig. L)  
*The clamp has single arm side and twin arm side. This instruction tells as you set the single arm on the right hand side, but the clamp is universal with no specific direction.*

(Bike Cradle is deleted in this section for explanation.)



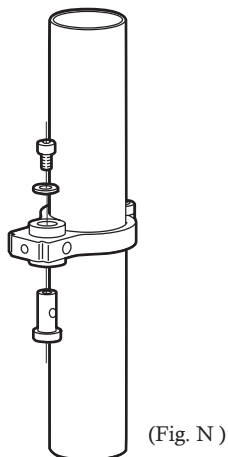
*When installing the clamp band to the smaller diameter Upper Pillar, you must put the gray Plastic Shim between the clamp band and the pillar as a spacer. Make sure the dual ribs are located on the single arm side. (see Fig. M)*

**3** Put the Pivot Pin through all 3 holes on the clamp band from bottom side, and screw the Pivot-Pin Fixing Bolt with a flat washer temporarily. (see Fig. N)

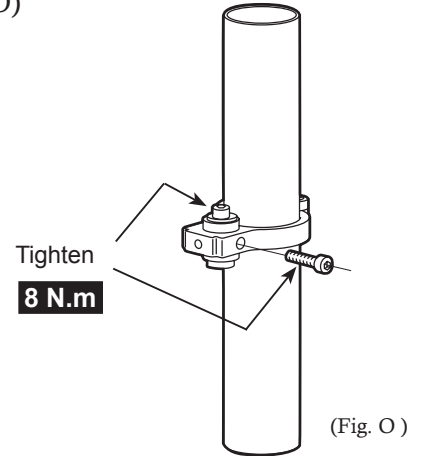


*Do not install the Pivot Pin from the top. You will not be able to use the hex wrench.*

Do not tighten the Pivot Pin Fixing Bolt firmly yet. If you tighten too much, the next step will become difficult.



**4** Turn the Pivot Pin to align the thread hole to the side hole on the Clamp Band. Screw the Clamping Bolt into the Pivot Pin. (see Fig. O)



**5** Tighten the Clamping Bolt first, then tighten the Pivot Pin Fixing Bolt later firmly (**8 N.m**).

### To Adjust On The Same Pillar

**6** If you need to adjust the clamp position along the same pillar, simply loosen (do not remove) the Pivot Pin Fixing Bolt and the Clamping Bolt slightly.



*When sliding the clamp on the pillar, loosen the screws and open the arms as widely as possible in order to avoid scratching the pillar problem. Do not twist the clamp along the pillar, but slide it straight up or down gently.*

### Warranty Period

Minoura offers **1-year limited warranty** to this product from the date of your purchase.

Any natural wear and the problems caused by misuse or unapproved modification will not be covered by this program.

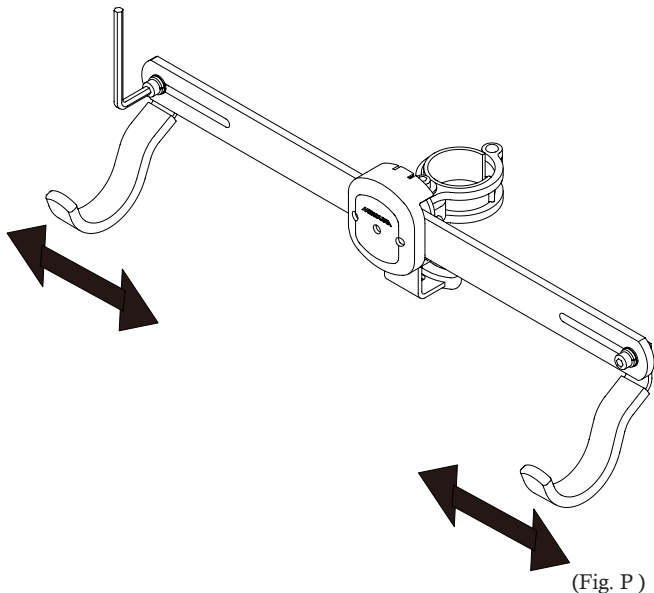
For more details, read the enclosed **Minoura Limited Warranty Policy** card in the kit.

Also please regularly check our Minoura web site for the latest information.

## Adjusting Cradle Width & Angle

The bike cradle's hook span and arm bar angle are adjustable in order to fit various types of bike frame in order to hold them as horizontal and stable as possible.

### How To Slide Cradle Hook

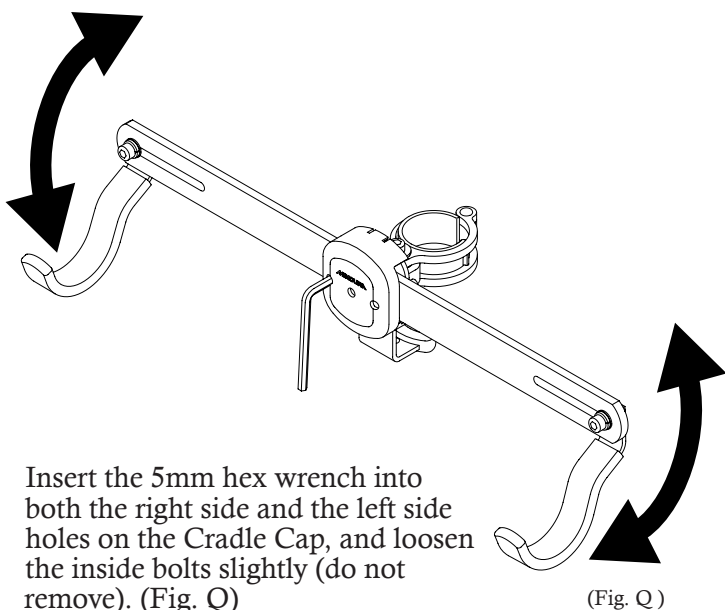


Take the bike off the cradle. Loosen the bolt and slide the hook to adjust the position. You should set the hooks symmetrically to maintain maximum bike stability.



*Do NOT try to adjust the hook while the bike is in the cradle. Doing so may cause the bike to fall off the stand.*

### How To Adjust Cradle Angle



Insert the 5mm hex wrench into both the right side and the left side holes on the Cradle Cap, and loosen the inside bolts slightly (do not remove). (Fig. Q)  
Now the cradle is ready to adjust the angle.

After adjustment, tighten both bolts firmly to fix the position.

## How To Mount Bike

To mount a bike on the cradle, place the top-tube on the hooks.

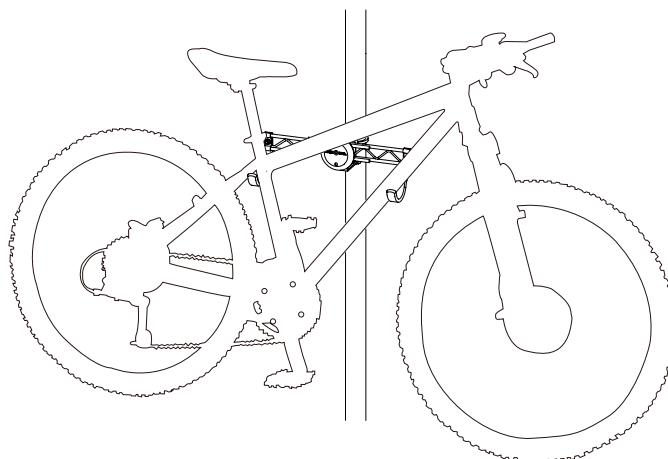
Usually, you hold the top-tube by both hooks, but if the bike frame design is specially sloping, you should set the rear side hook under the seat-tube to keep the bike from sliding off. (see Fig. R)



*Setting the front end to higher than the rear of the bike may cause the wheel to turn and possibly chip or damage the frame. Minoura recommends keeping the front end lower if possible or using a strap to secure the front wheel to the frame or stand to avoid such accidents.*



*The hook material may stain on your bike frame. We recommend placing a piece of bar-tape between the hook and the frame or wrapping the hook with bandage in order to avoid contact with each piece.*



Special style to hold the bike  
(image: BikeTower20)

(Fig. R)

## Contact

### MINOURA JAPAN

134-1 Shimomiya, Godo, Anpachi, Gifu  
503-2312 Japan

Mail : [minoura@minoura.jp](mailto:minoura@minoura.jp)

URL : [www.minoura.jp](http://www.minoura.jp)

Made in Japan