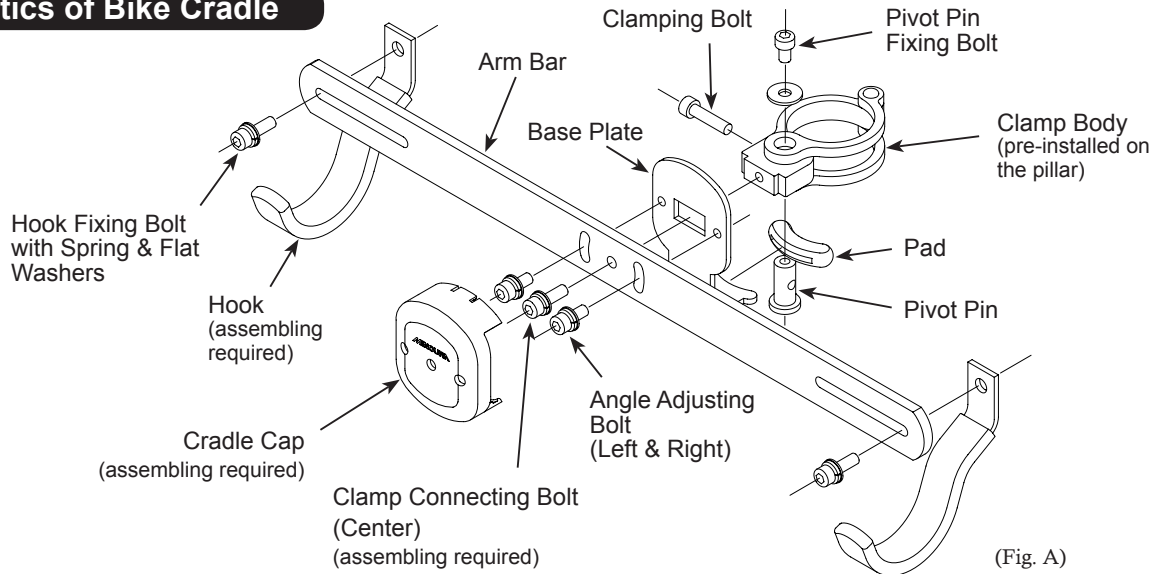


Schematics of Bike Cradle



How To Install Bike Cradle

Required Tool: 5mm Hex Wrench

The clamp body has been pre-installed on the pillar. You will install the bike cradle to the clamp. The hook and the cradle cap are separated. You will install them on the cradle later.

- 1 Install the rectangle projection part of the Clamp Body into the rectangle hole on the Base Plate. (Fig. A)



Be sure to put the rectangle projection evenly and into the hole level. If it is not completely level, the clamp may be damaged and it will become difficult to screw the Clamp Connecting Bolt into the thread hold on the Clamp Body. The clamp body is made of soft light alloy material and this part cannot be repaired. You must replace it at your own expense if damaged.



A thread has a unique physical mechanism that you can screw the bolt in the slightly slanted angle. The bolt will stop turning after 2-3 rotations so do not force the bolt any further or you could cause damage to the stand. You must confirm first that you can rotate the bolt at least 3 rotations smoothly without using any tool. After that, you can use tool for tightening more.

- 2 Screw the M6x20 cap bolt in the parts pack to the Clamp body through the center hole on the Arm Bar. Tighten the bolt firmly by 5mm hex wrench.

- 3 Install the Hooks to both ends of the Arm Bar. The hook is position and angle adjustable in order to fit your bike frame size and design as perfectly as possible.

- 4 Install the Cradle Cap to the Base Plate. You should attach the cap bottom first, then push the top for better installation. Failure to do so may cause the cap breakage problem.

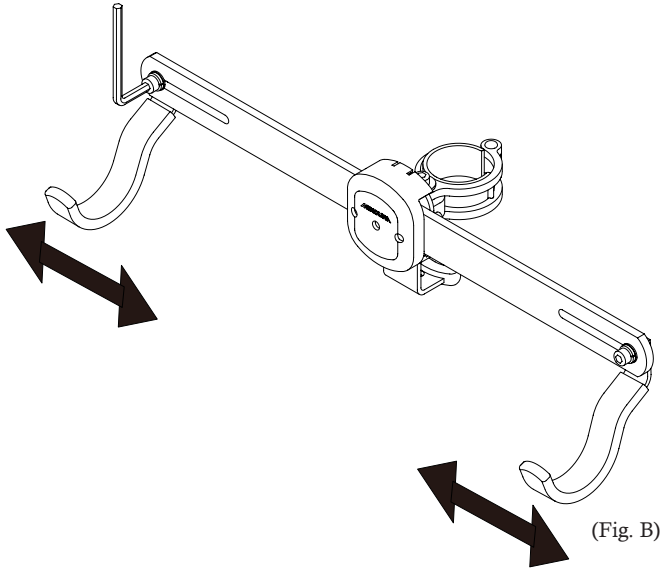


After installation of the Cradle Cap, you will tighten or loosen the bolts through the hole on the cap. When you need to remove the cradle from the clamp body, you should not keep pushing the cradle forward. The cap will lift up naturally while loosening the bolt. Otherwise, the bolt head may push and remove the cradle cap.



When you need to install the bike cradle onto the narrower 40mm diameter pillar, you will need the optional gray plastic Shim. Wrap the shim around the pillar and wind the clamp on it. At this moment, make sure the single arm of the clamp sits between the ribs on the shim.

How To Slide Cradle Hook

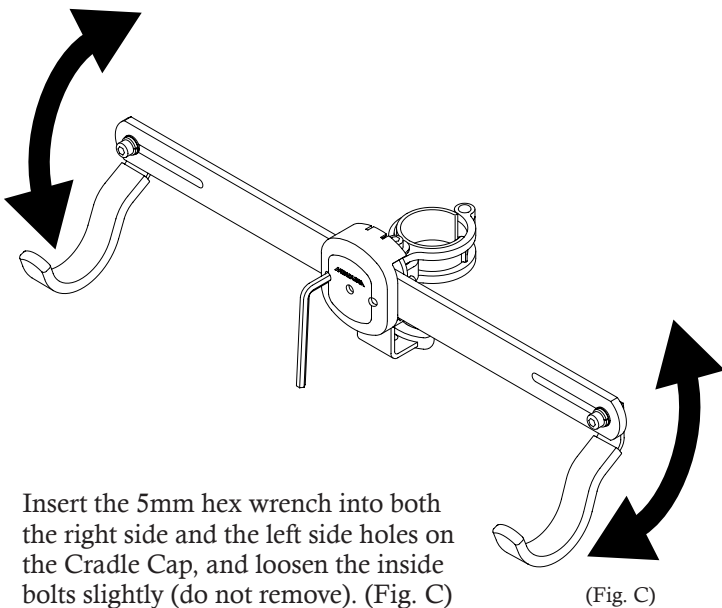


Take the bike off the cradle. Loosen the bolt and slide the hook to adjust the position. You should set the hooks symmetrically to maintain maximum bike stability.



Do NOT try to adjust the hook while the bike is in the cradle. Doing so may cause the bike to fall off the stand.

How To Adjust Cradle Angle



Insert the 5mm hex wrench into both the right side and the left side holes on the Cradle Cap, and loosen the inside bolts slightly (do not remove). (Fig. C) Now the cradle is ready to adjust the angle.

After adjustment, tighten both bolts firmly to fix the position.

How To Reinstall The Clamp

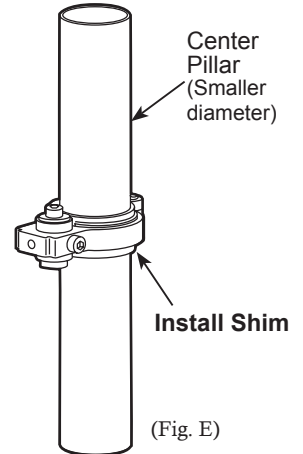
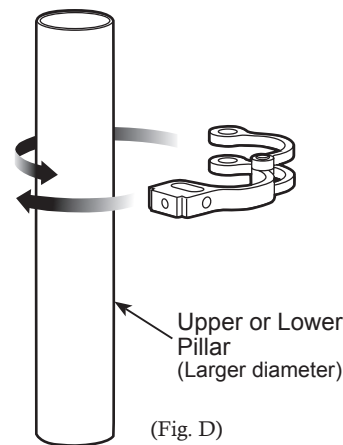
Required Tool : 5mm Hex Wrench

You may need to remove and change the installation position of the bike cradle from the fatter Upper Pillar to the narrower Center Pillar depending on the bike size or the bike layout. To do so, follow the steps below. If you just change the installation position among the same pillar, just loosen the clamp, no need to remove.

1 You can change the clamp position while the cradle is still on attached to the clamp. Loosen and remove the Pivot Pin Fixing Bolt, the Clamping Bolt, and the Pivot Pin. Now you can open the clamp arms to remove it from the pillar.

2 Wrap the clamp arm around the pillar. (Fig. D) The clamp has single arm side and twin arm side. This instruction tells as you set the single arm on the right hand side, but the clamp is universal with no specific direction.

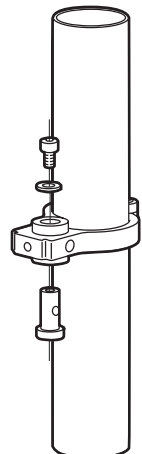
(Bike Cradle is deleted in this section for explanation.)



When installing the clamp band to the smaller diameter Center Pillar, you must put the gray Plastic Shim between the clamp band and the pillar as a spacer. Make sure the dual ribs are located on the single arm side. (see Fig. E)

3 Put the Pivot Pin through all 3 holes on the clamp band from bottom side, and screw the Pivot-Pin Fixing Bolt with a flat washer temporarily. (see Fig. F)

Do not tighten the Pivot Pin Fixing Bolt firmly yet. If you tighten too much, the next step will become difficult.

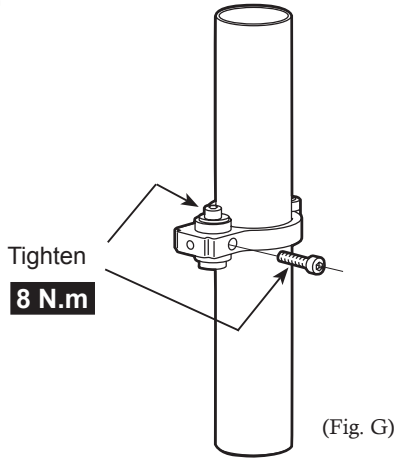


(Fig. F)



*Do not install the Pivot Pin from the top.
You will not be able to use the hex wrench.*

- 4** Turn the Pivot Pin to align the thread hole to the side hole on the Clamp Band. Screw the Clamping Bolt into the Pivot Pin. (see Fig. G)



- 5** Tighten the Clamping Bolt first, then tighten the Pivot Pin Fixing Bolt later firmly (**8 N.m**).

To Just Adjust On The Same Pillar

- 6** If you need to adjust the clamp position along the same pillar, simply loosen (do not remove) the Pivot Pin Fixing Bolt and the Clamping Bolt slightly.



When sliding the clamp on the pillar, loosen the screws and open the arms as widely as possible in order to avoid scratching the pillar. Do not twist the clamp along the pillar, but slide it straight up or down gently.

Warranty Period

Minoura offers **1-year limited warranty** to this product from the date of your purchase.

Any natural wear and the problems caused by misuse or unapproved modification will not be covered by this program.

For more details, read the enclosed **Minoura Limited Warranty Policy** card in the kit.

Also please regularly check our Minoura web site for the latest information.

How To Mount Bike

To mount a bike on the cradle, place the top-tube on the hooks.

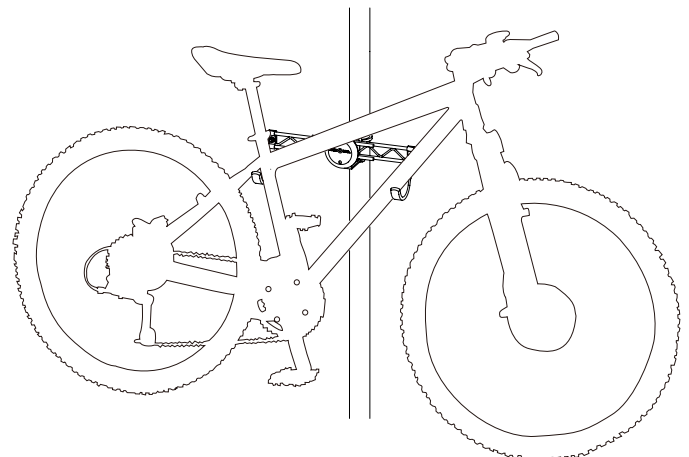
Usually, you hold the top-tube by both hooks, but if the bike frame design is specially sloping, you should set the rear side hook under the seat-tube to keep the bike from sliding off. (see Fig. H)



Setting the front end to higher than the rear of the bike may cause the wheel to turn and possibly chip or damage the frame. Minoura recommends keeping the front end lower if possible or using a strap to secure the front wheel to the frame or stand to avoid such accidents.



The hook material may stain on your bike frame. We recommend placing a piece of bar-tape between the hook and the frame or wrapping the hook with bandage in order to avoid contact with each piece.



Special style to hold the bike
(image: BikeTower20)

(Fig. H)

Contact

MINOURA JAPAN

134-1 Shimomiya, Godo, Anpachi, Gifu
503-2312 Japan

Mail : minoura@minoura.jp

URL: www.minoura.jp

Made in Japan